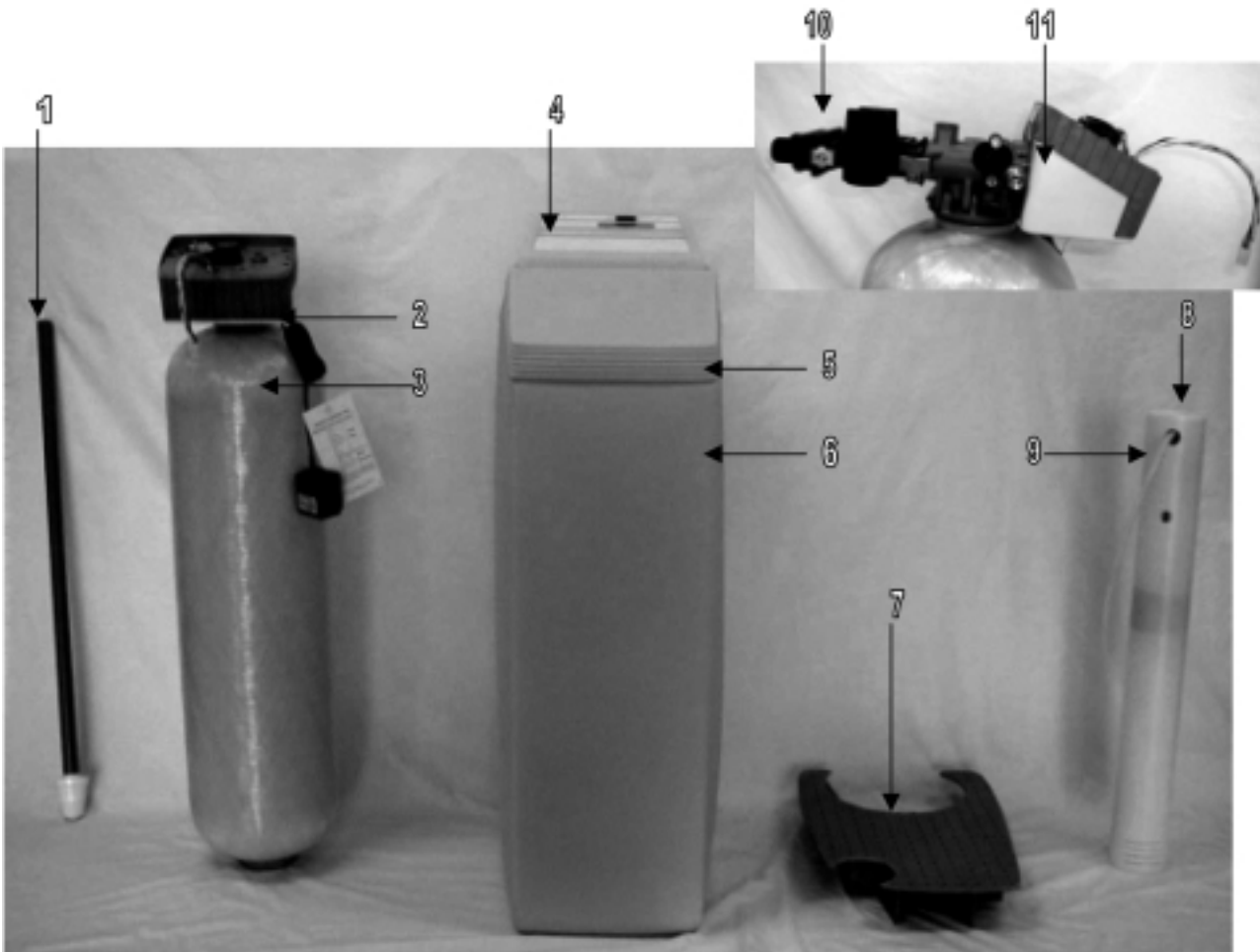


# Metermatic SE Cabinet Water Softener



<u>Part No.</u>	<u>Model Description</u>	<u>Valve #2</u>	<u>Tank #3</u>	<u>Grid #7</u>	<u>Resin (21501)</u>	<u>Gravel (22001)</u>
3915	NC24SE	7500-05	19354	19715	0.75 CF	0.065 CF
3916	NC32SE	7500-06	110354	19716	1.00 CF	0.080 CF

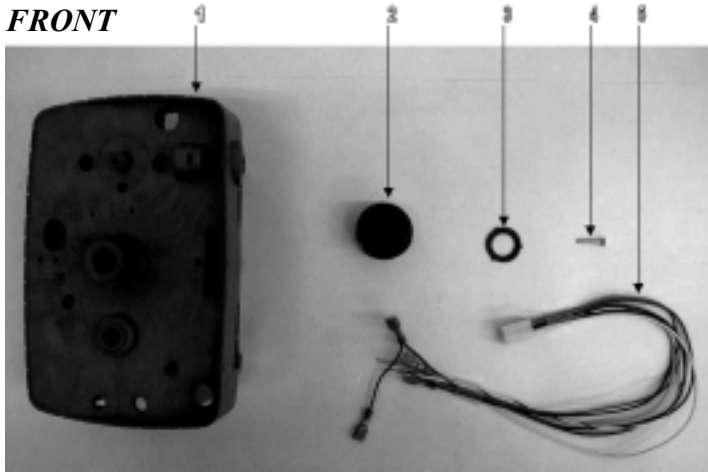
## Common Components

<u>Item No.</u>	<u>Part No.</u>	<u>Description</u>
1	19495	Distributor
4	19381	Hood (includes 19791-03 meter cable)
5	100293	Lid
6	100294	Cabinet
8	48004	Brine Well Cap
9	13624	Safety Float
10	60049	Bypass
11	19446	Back Cover
NS	12338	Hose Barb

Note: All USA units come standard with #60040SS - Stainless Steel Bypass.

# Metermatic SE Cabinet - 7500 Power Head

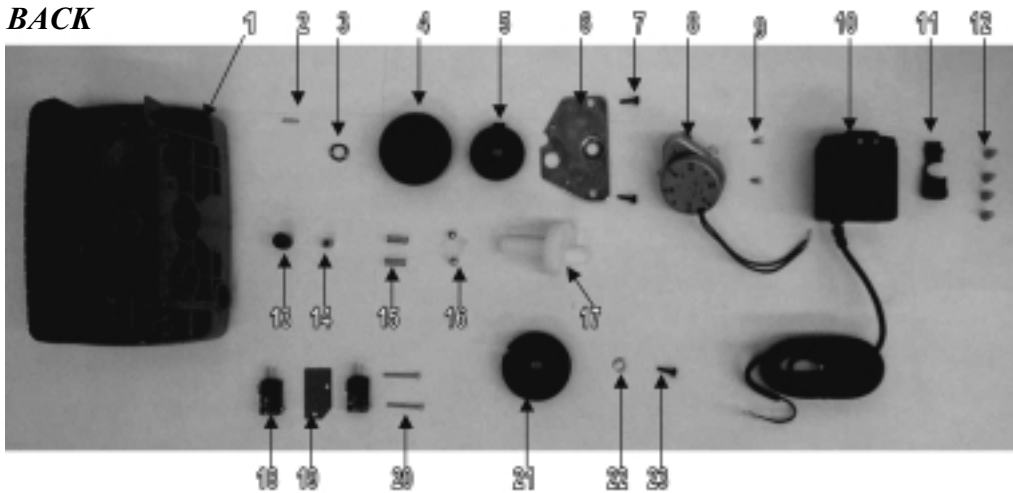
**FRONT**



**7500 Power Head - FRONT**

Item No.	Qty Req'd	Part No.	Description
1	1	17055-08	Drive Housing/Receptacle
2	1	40145	Blue Cycle Cam
3	1	19079	Friction Washer
4	1	15151	Screw
5	1	19474-021	Wire Harness

**BACK**



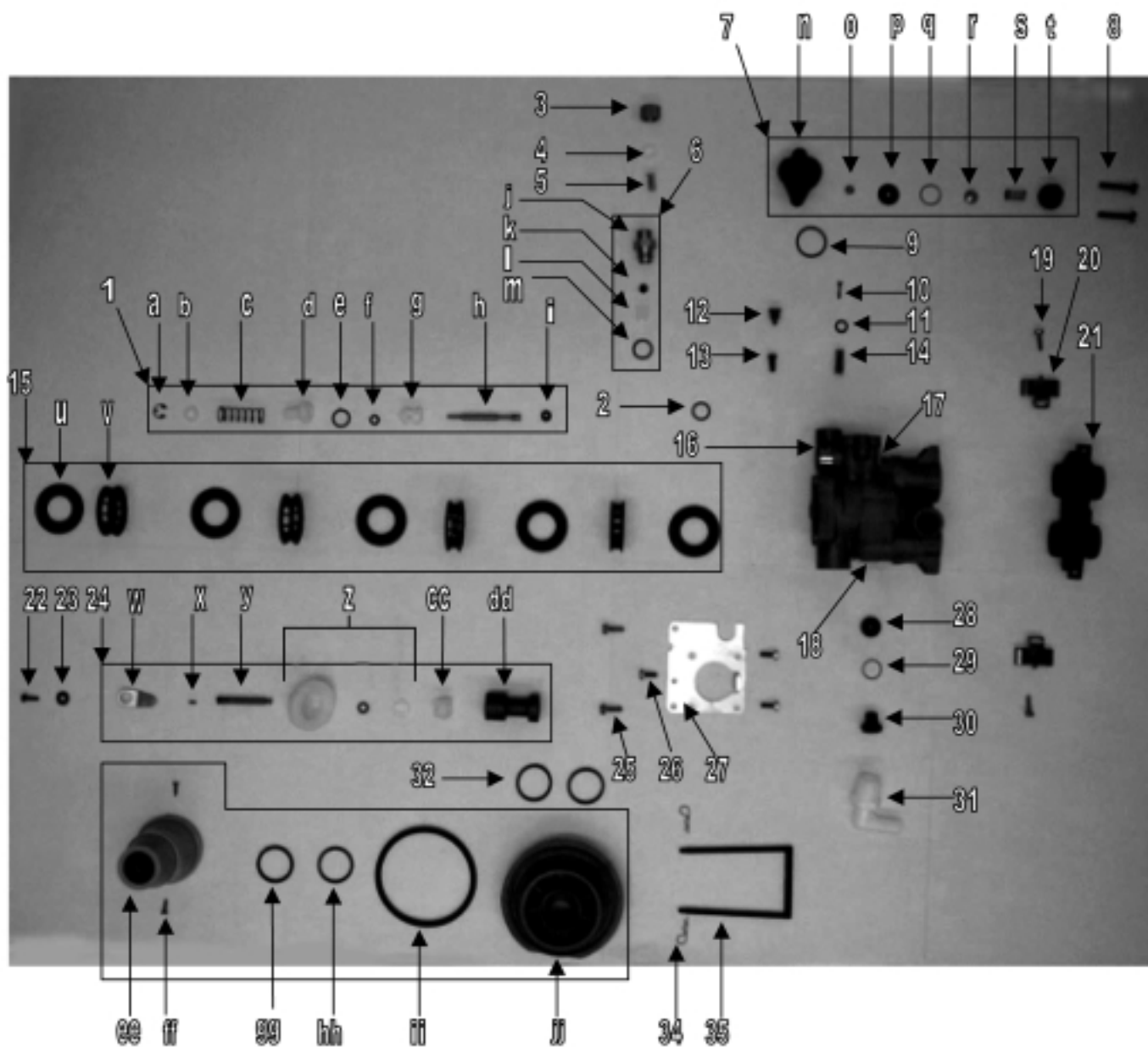
**7500 Power Head - BACK**

Item No.	Qty Req'd	Part No.	Description
1	1	17055-08	Drive Housing/Receptacle
2	1	18655	Roll Pin
3	1	13299	Curved Washer
4	1	13017	Idler Gear
5	1	23045	Drive Gear
6	1	13175	Motor Mounting Plate
7	2	13296	Mounting Screws
8	1	16944	Drive Motor, 24 V
9	2	11384	Screws
10	1	19674	Transformer
11	1	13547	Strain Relief
12	4	12681	Tan Wire Nut

Item No.	Qty Req'd	Part No.	Description
13	1	17213	Receptacle Retainer
14	1	17214	Receptacle
15	2	19080	Springs
16	2	13300	1/4" Ball
17	1	24958-20	Main Gear & Shaft
18	1	10218	Micro Switch (no lever)
19	1	10302	Insulator
20	2	17876	Screws
21	1	1667-03	Brine Valve Cam
22	1	12037	Plain Washer
23	1	13296	Screw

\*Not Shown 19791-03 Meter Cable

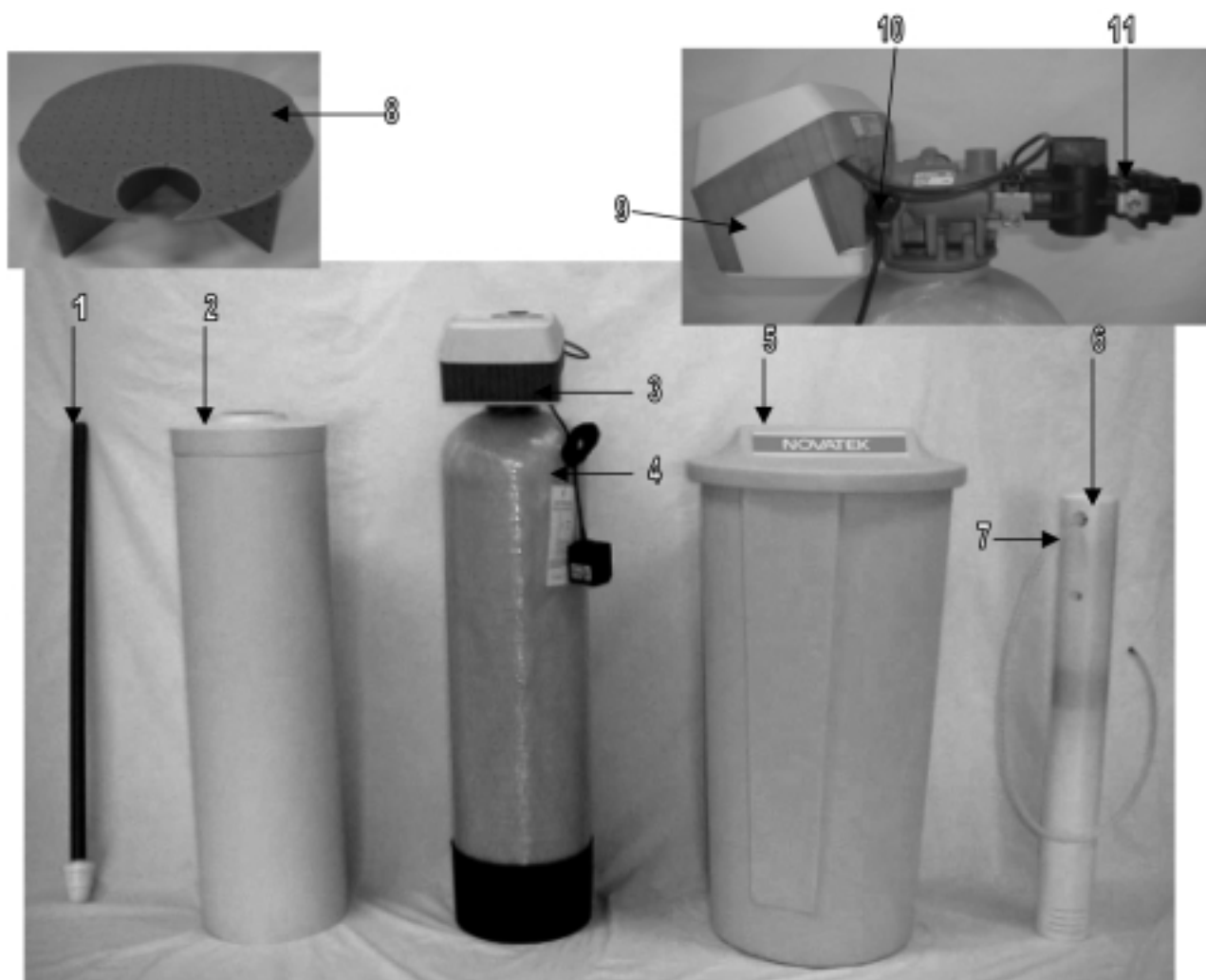
# Metermatic SE Cabinet - 7500 Control Valve



# Metermatic SE Cabinet - 7500 Control Valve

Item No.	Qty Req'd	Part No.	Description	Item No.	Qty Req'd	Part No.	Description
<b>1</b>	<b>1</b>	<b>19429</b>	<b>Brine Valve Assembly</b>	16	1	12128	BLFC Label, 0.25 GPM
a	1	11981-01	Retaining Ring	17	1	16928	Valve Body
b	1	16098	Brine Washer, Nylon	18	1	13333	Injector Label
c	1	11973	Brine Valve Spring	19	2	13314	Screws
d	1	13165	Brine Valve Cap	20	2	19568	Turbine Meter Clip
e	1	13302	O-Ring	21	1	19797	Turbine Meter
f	1	12550	Quad Ring	22	1	13296	Screw
g	1	13167	Brine Valve Spacer	23	1	13363	Plain Washer
h	1	16670	Brine Valve Stem	<b>24</b>	<b>1</b>	<b>40141-1</b>	<b>Piston Assembly</b>
i	1	12626	Brine Valve Seat	w	1	40140-01	Drive Link
2	1	13302	O-Ring	x	1	13306	Roll Pin
3	1	10329	3/8" Brass Nut	y	1	14469	Piston Rod
4	1	10330	Delrin Sleeve	z	1	13446	End Plug Assembly
5	1	10332	Brass Insert	cc	1	14309	Piston Rod Retainer
<b>6</b>	<b>1</b>	<b>19402</b>	<b>Control .25 Refill</b>	dd	1	40141	Piston
j	1	13244	BLFC Adapter	25	2	12473	Screws
k	1	12094	0.25 GPM Flow Washer	26	3	12112	Screws
l	1	13245	BLFC Button Retainer	27	1	16561	End Plug Retainer
m	1	12977	O-Ring	28	1	12086	1.50 GPM Flow Washer
<b>7</b>	<b>1</b>	<b>19475</b>	<b>Regulator Cap Assembly</b>		1	12087	2.00 GPM Flow Washer
n	1	15449	Regulator Body	29	1	15348	O-Ring
o	1	14846	Pressure Reg Washer	30	1	13173	DLFC Button Retainer
p	1	14847	Regulator Diaphragm	31	1	12338	Hose Barb
q	1	14848	Slip Ring	32	2	13304	O-Ring
r	1	23391	Seat	<b>33</b>	<b>1</b>	<b>19443</b>	<b>Tank Adapter "Softener"</b>
s	1	14850	Regulator Spring	ee	1	13700	Cone
t	1	14851	Regulator Cap	ff	2	13748	Screws
8	2	13315	Screws	gg	1	13030	Distributor Tube Retainer
9	1	13303	O-Ring	hh	1	13304	O-Ring
10	1	23393	Regulator Poppet	ii	1	12281	O-Ring
11	1	13301	O-Ring	jj	1	16926-01	Adapter Base
12	1	10913-00	Violet Injector Nozzle	34	2	14915	Cotter Pin
	1	10913-1	White Injector Nozzle	35	1	16560	Retaining Pin
13	1	10914-00	Violet Injector Throat				
14	1	15548	Pressure Reg Screen				
<b>15</b>	<b>1</b>	<b>13976</b>	<b>Seal &amp; Spacer Assembly</b>				
u	5	13242	Main Seals				
v	4	14241	Spacers				

# Metermatic SE Twin Tank Water Softener



Part No.	Model Description	Distributor #1	Jacket #2	Valve #3	Tank #4	Brine Tank #5	Safety Float #7	Grid #8	Resin (21501)	Media (22001)
3910	NT24SE	19495	100503	7500-07	19354	100283	13624	NA	0.75 CF	0.065 CF
3911	NT32SE	19495	100506	7500-08	110354	100283	13624	NA	1.00 CF	0.080 CF
3912	NT40SE	19478	100507	7500-08	110474	100362	13624	19725	1.25 CF	0.080 CF
3913	NT64SE	19477	NA	7500-09	112524	100362	13624	19725	2.00 CF	0.120 CF
3914	NT96SE	60098	NA	7500-10	114651	100362	13624	19726	3.00 CF	0.150 CF

## Common Components

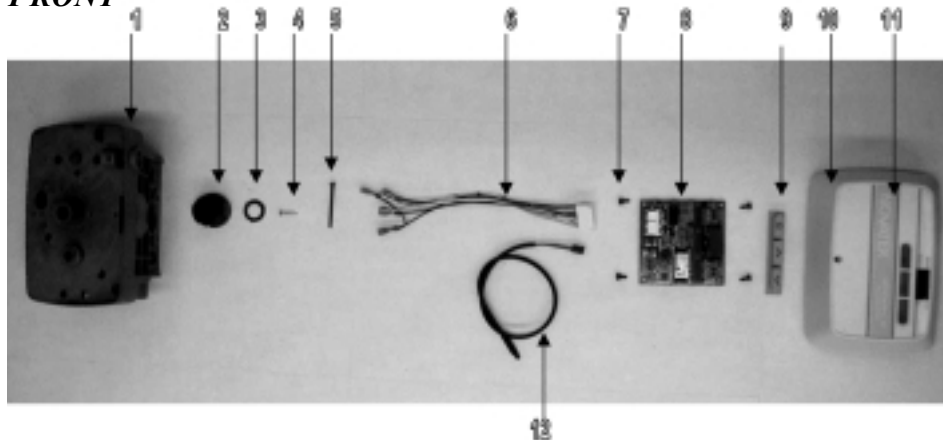
Item No.	Part No.	Description
6	48004	Brine Well Cap
9	19446	Back Cover
10	13308	Hose Barb
11	60049	Bypass

Unit 3914 includes a CPVC tank adapter - Part No. 81041  
 Distributor 60098 includes hub and laterals.

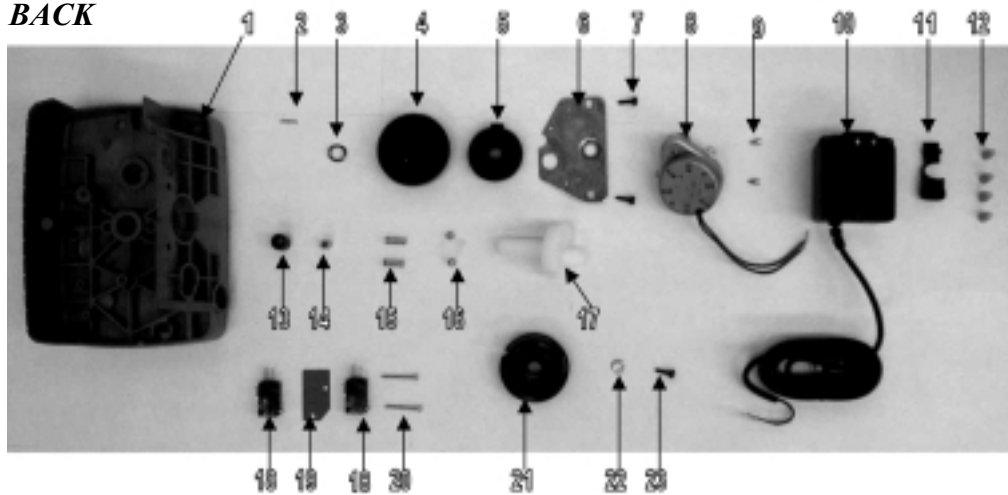
*Note: All USA units come standard with #60040SS - Stainless Steel Bypass.*

# Metermatic SE Twin Tank - 7500 Power Head

## FRONT



## BACK



### 7500 Power Head - FRONT

Item No.	Qty	Part No.	Description
1	1	17055-08	Drive Housing/Receptacle
2	1	40145	Blue Cycle Cam
3	1	19079	Friction Washer
4	1	15151	Screw
5	1	23402	Screw
6	1	19474	Wire Harness
7	4	17020	Screws
8	1	42099-1	Circuit Board
9	1	019473	Rubber Buttons
10	1	23381	Circuit Housing
11	1	51760	Circuit Label
12	1	19791-01	Meter Cable

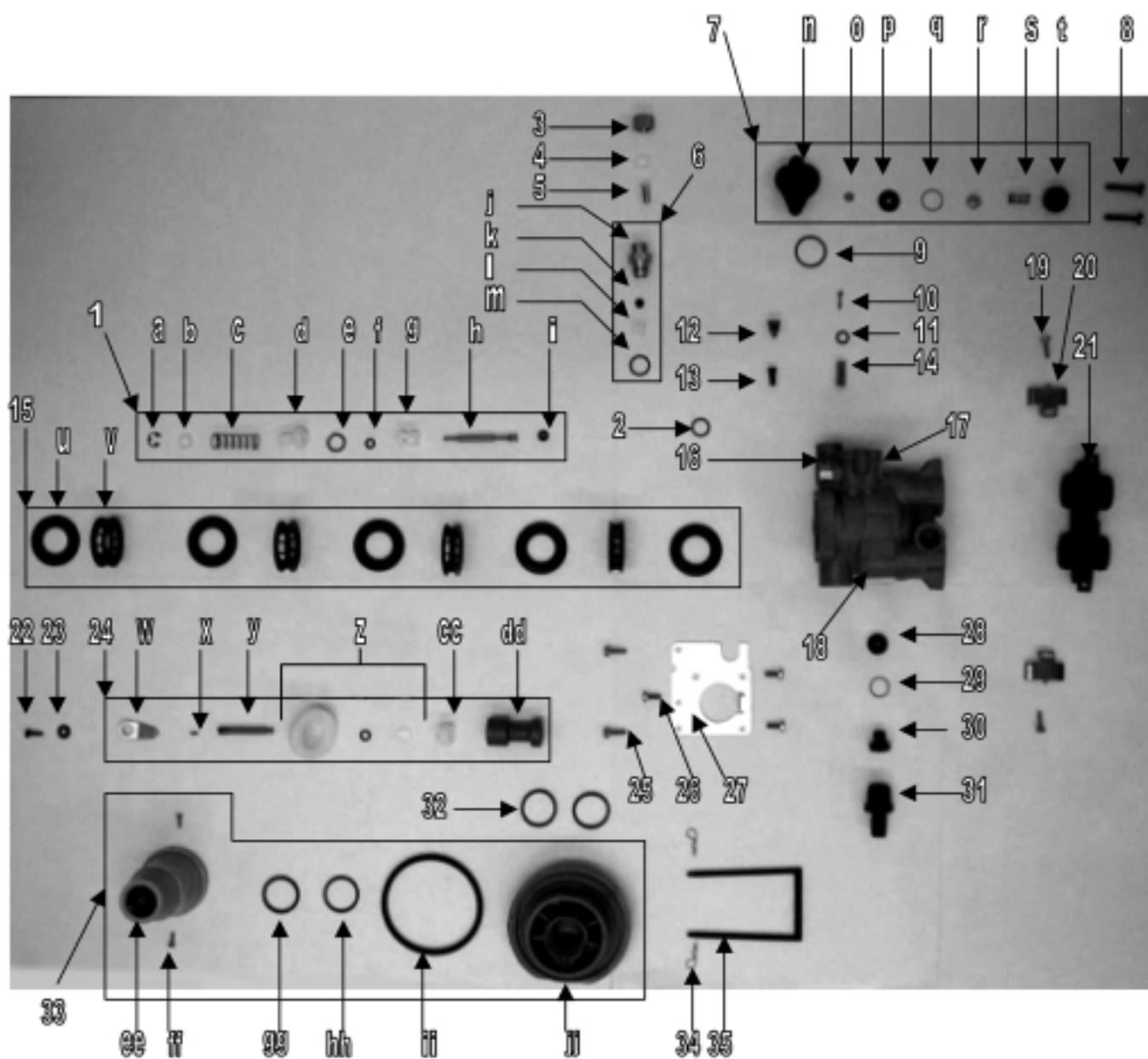
### 7500 Power Head - BACK

1	1	17055-02	Drive Housing /Receptacle
2	1	18655	Roll Pin
3	1	13299	Curved Washer
4	1	13017	Idler Gear
5	1	23045	Drive Gear

### 7500 Power Head - BACK (cont'd)

Item No.	Qty	Part No.	Description
6	1	13175	Motor Mounting Plate
7	2	13296	Mounting Screws
8	1	16944	Drive Motor, 24V
9	2	11384	Screws
10	1	19674	Transformer
11	1	13547	Strain Relief
12	4	12681	Tan Wire Nut
13	1	17213	Receptacle Retainer
14	1	17214	Receptacle
15	2	19080	Springs
16	2	13300	1/4" Ball
17	1	24958-20	Main Gear & Shaft
18	2	10218	Micro Switch (no lever)
19	1	10302	Insulator
20	2	17876	Screws
21	1	16667-03	Brine Valve Cam
22	1	12037	Plain Washer
23	1	13296	Screw

# Metermatic SE Twin Tank - 7500 Control Valve

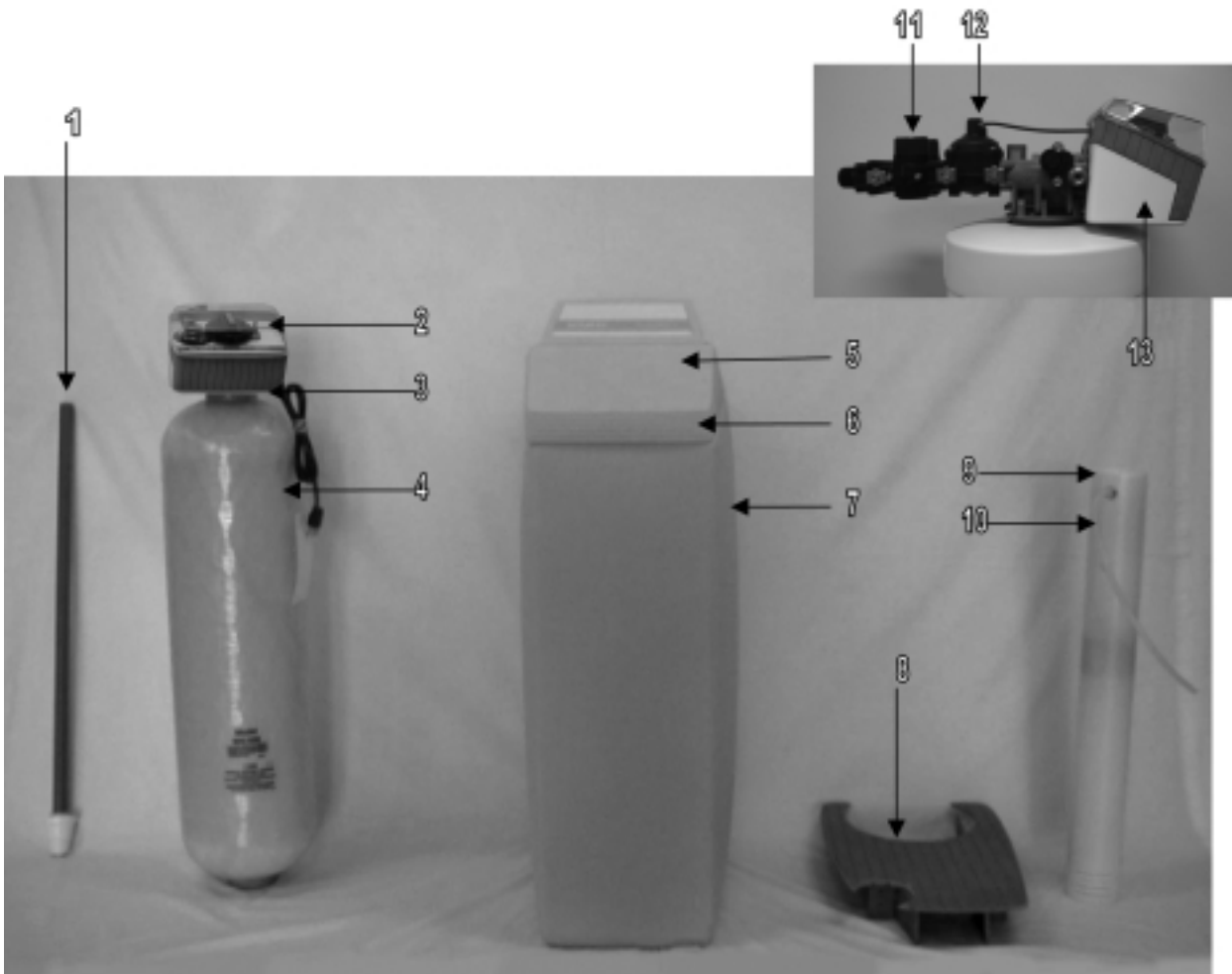


# Metermatic SE Twin Tank - 7500 Control Valve

Item No.	Qty Req'd	Part No.	Description	Item No.	Qty Req'd	Part No.	Description
<b>1</b>	<b>1</b>	<b>19429</b>	<b>Brine Valve Assembly</b>	16	1	12128	BLFC Label, 0.25 GPM
a	1	11981-01	Retaining Ring		1	10759	0.5 GPM Label
b	1	16098	Brine Washer, Nylon	17	1	16928	Valve Body
c	1	11973	Brine Valve Spring	18	1	13333	Injector Label
d	1	13165	Brine Valve Cap	19	2	13314	Screws
e	1	13302	O-Ring	20	2	19569	Turbine Meter Clip
f	1	12550	Quad Ring	21	1	19797	Turbine Meter
g	1	13167	Brine Valve Spacer	22	1	13296	Screw
h	1	16670	Brine Valve Stem	23	1	13363	Plain Washer
i	1	12626	Brine Valve Seat	<b>24</b>	<b>1</b>	<b>40141-1</b>	<b>Piston Assembly</b>
2	1	13302	O-Ring	w	1	40140-01	Drive Link
3	1	10329	3/8" Brass Nut	x	1	13306	Roll Pin
4	1	10330	Delrin Sleeve	y	1	14469	Piston Rod
5	1	10332	Brass Insert	z	1	13446	End Plug Assembly
<b>6</b>	<b>1</b>	<b>19402</b>	<b>Control .25 Refill</b>	cc	1	14309	Piston Rod Retainer
j	1	13244	BLFC Adapter	dd	1	40141	Piston
k	1	12094	0.25 GPM Flow Washer	25	2	12473	Screws
	1	12095	0.50 GPM Flow Washer	26	3	12112	Screws
l	1	13245	BLFC Button Retainer	27	1	16561	End Plug Retainer
m	1	12977	O-Ring	28	1	12086	1.50 GPM Flow Washer
<b>7</b>	<b>1</b>	<b>19475</b>	<b>Regulator Cap Assembly</b>		1	12087	2.00 GPM Flow Washer
n	1	15449	Regulator Body		1	12089	3.00 GPM Flow Washer
o	1	14846	Pressure Reg Washer		1	12091	4.00 GPM Flow Washer
p	1	14847	Regulator Diaphragm	29	1	15348	O-Ring
q	1	14848	Slip Ring	30	1	13173	DLFC Button Retainer
r	1	23391	Seat	31	1	13308	Hose Barb
s	1	14850	Regulator Spring	32	2	13304	O-Ring
t	1	14851	Regulator Cap	<b>33</b>	<b>1</b>	<b>19443</b>	<b>Tank Adapter "Softener"</b>
8	2	13315	Screws	ee	1	13700	Cone
9	1	13303	O-Ring	ff	2	13748	Screws
10	1	23393	Regulator Poppet	gg	1	13030	Distributor Tube Retainer
11	1	13301	O-Ring	hh	1	13304	O-Ring
12	1	10913-00	Violet Injector Nozzle	ii	1	12281	O-Ring
	1	10913-1	White Injector Nozzle	jj	1	16926-01	Adapter Base
	1	10913-0	Reg Injector Nozzle	34	2	14915	Cotter Pin
	1	10913-2	Blue Injector Nozzle	35	1	16560	Retaining Pin
13	1	10914-00	Violet Injector Throat				
	1	10914-0	Red Injector Throat				
	1	10914-2	Blue Injector Throat				
14	1	15548	Pressure Reg Screen				
<b>15</b>	<b>1</b>	<b>13976</b>	<b>Seal &amp; Spacer Assembly</b>				
u	5	13242	Main Seals				
v	4	14241	Spacers				



# Metermatic Cabinet Water Softener



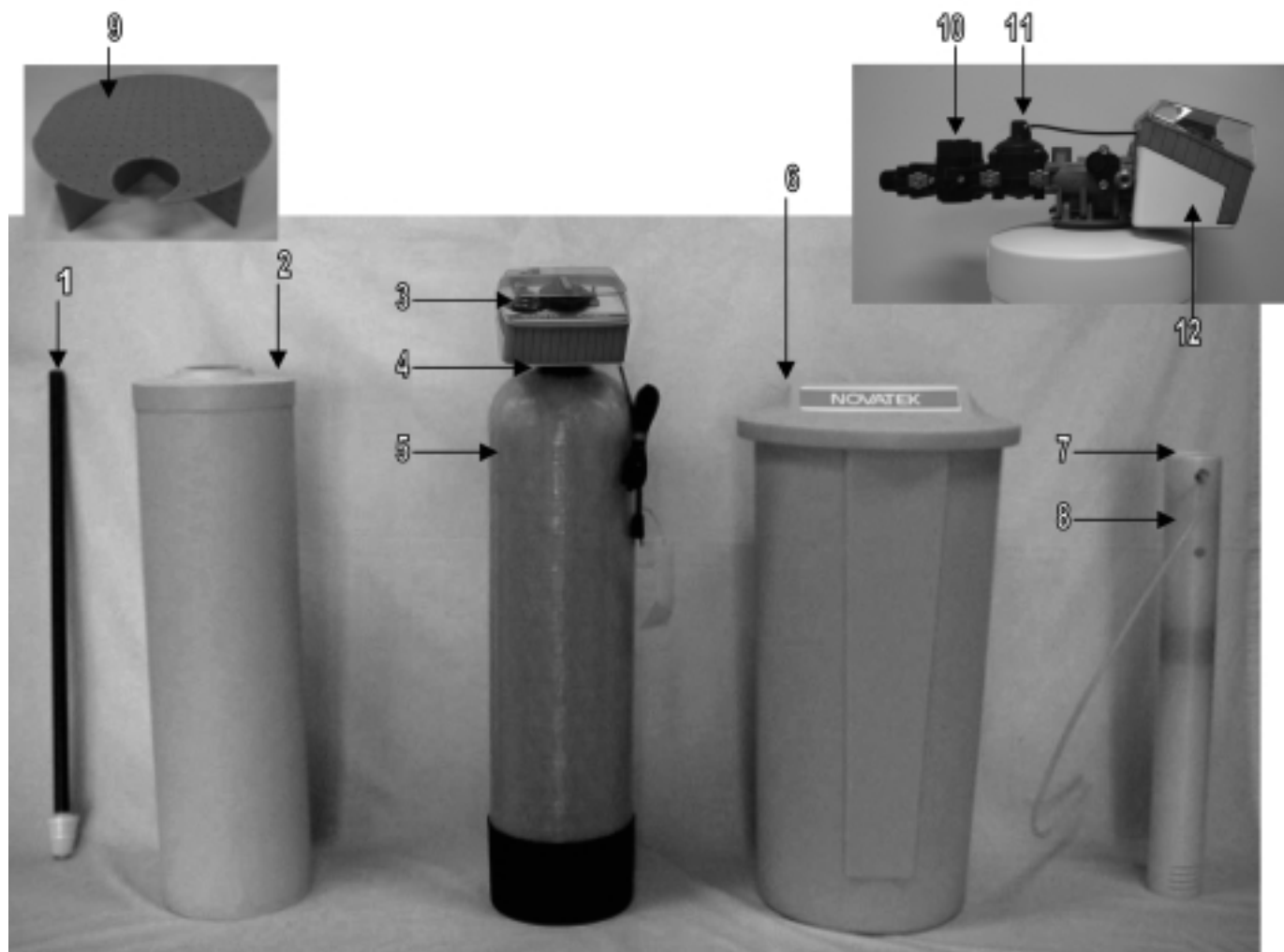
<u>Part No.</u>	<u>Model Description</u>	<u>Valve #3</u>	<u>Tank #4</u>	<u>Grid #8</u>	<u>Resin (21501)</u>	<u>Gravel (22001)</u>
3955	NC24MI	7500-81	19354	19715	0.75 CF	0.065 CF
3956	NC32MI	7500-82	110354	19716	1.00 CF	0.080 CF

## Common Components

<u>Item No.</u>	<u>Part No.</u>	<u>Description</u>
1	19495	Distributor
2	16685	Clear Cover
5	100292	Hood
6	100293	Lid
7	100294	Cabinet
9	48004	Brine Well Cap
10	13624	Safety Float
11	60049	Bypass
12	60088-45	45 Degree Meter
13	19446	Back Cover

*Note: All USA units come standard with #60040SS - Stainless Steel Bypass.*

# Metermatic Twin Tank Water Softener



Part No.	Model Description	Distributor #1	Jacket #2	Valve #4	Tank #5	Brine Tank #6	Safety Float #8	Grid #9	Resin (21501)	Media (22001)
3950	NT24MI	19495	100503	7500-81	19354	100283	13624	NA	0.75 CF	0.065 CF
3951	NT32MI	19495	100506	7500-82	110354	100283	13624	NA	1.00 CF	0.080 CF
3952	NT40MI	19478	100507	7500-83	110474	100362	13624	19725	1.25 CF	0.080 CF
3953	NT64MI	19477	NA	7500-84	112524	100362	13624	19725	2.00 CF	0.120 CF
3954	NT96MI	60098	NA	7500-85	114651	100362	13624	19726	3.00 CF	0.150 CF

## Common Components

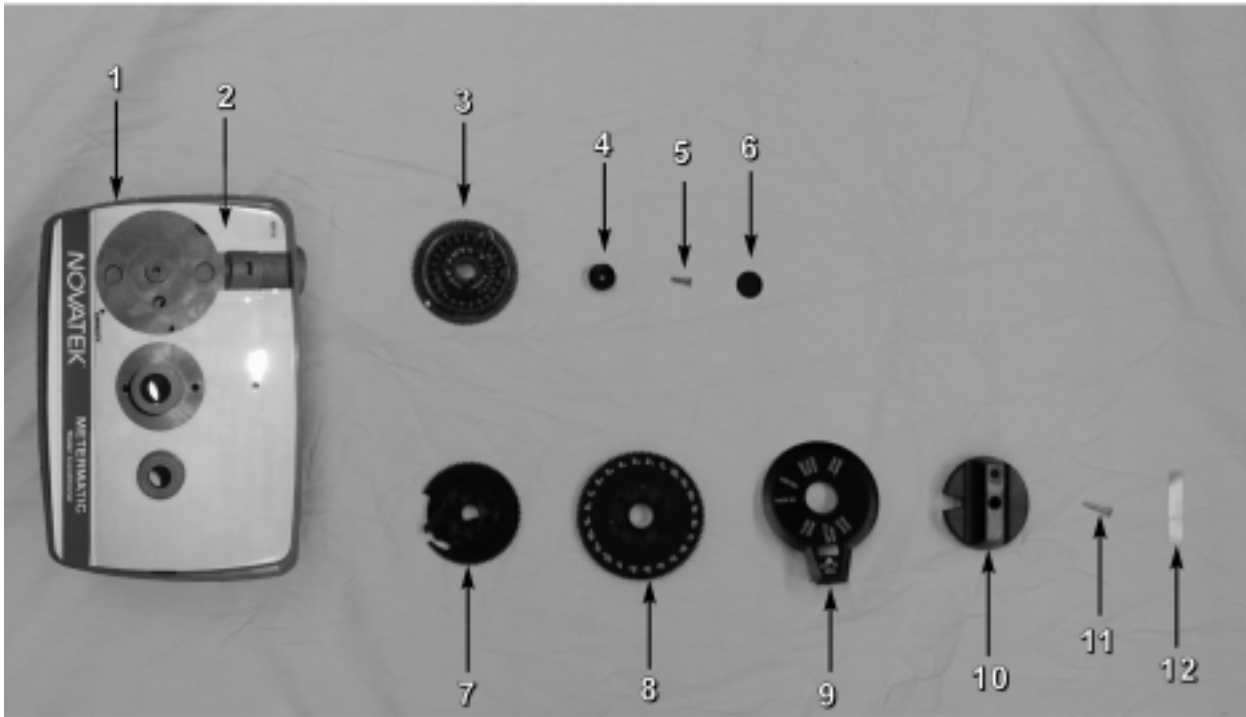
Item No.	Part No.	Description
3	16685	Clear Cover
7	48004	Brine Well Cap
10	60049	Bypass
11	60088-45	45 Degree Meter
12	19446	Back Cover

Unit 3954 includes a CPVC tank adapter - Part No. 81041  
 Distributor 60098 includes hub and laterals.

*Note: All USA units come standard with #60040SS - Stainless Steel Bypass.*

# Metermatic Cabinet/Twin Tank - 7500 Power Head

## FRONT

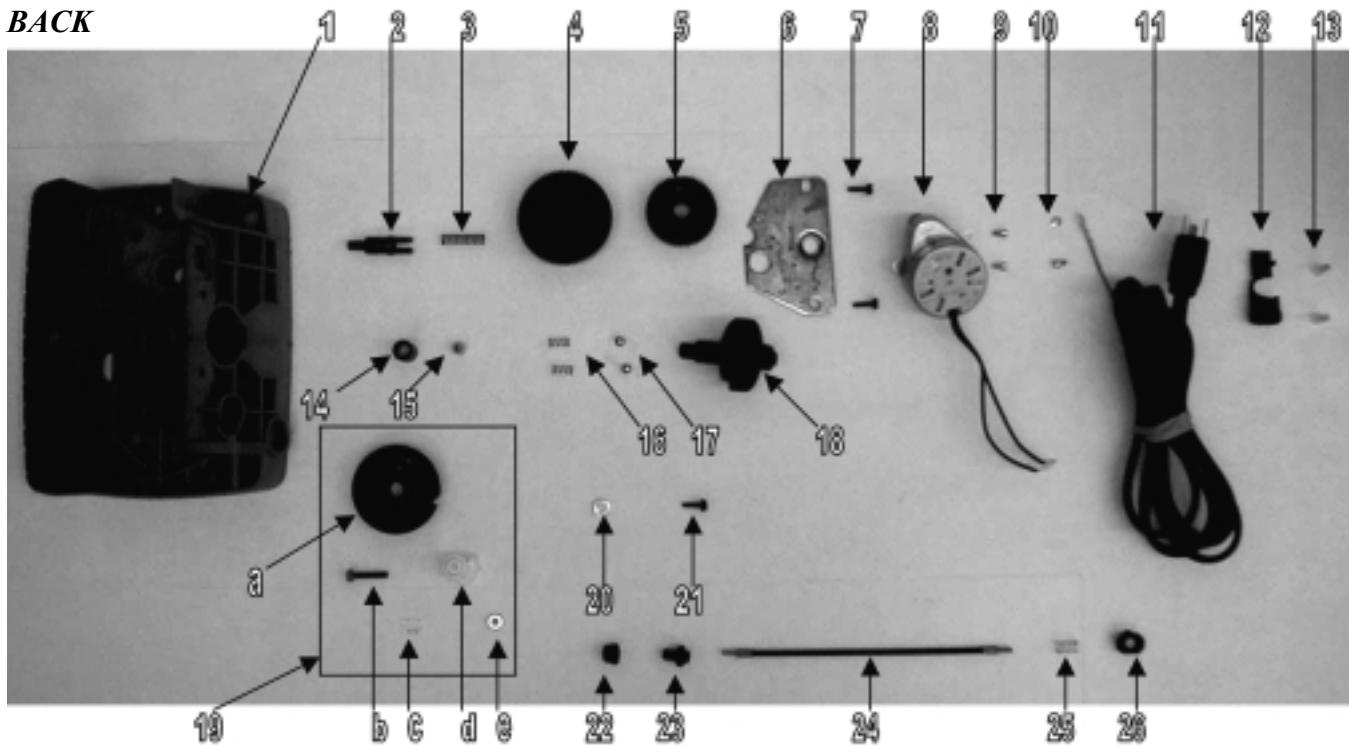


### 7500 Power Head - FRONT

Item No.	Qty	Part No.	Description
1	1	17055 - 02	Drive Housing / Receptacle
2	1	52114	Novatek Label
3	1	14039	Program Wheel Assembly
	1	13803	Program Drive Wheel Gear
	1	13885	Program Wheel Cover
	1	15956	Program Wheel Adjustment Disc
	1	13954	# of People Label
	1	15967	Gallons Label
	2	13898	Screws
4	1	13806	Program Wheel Retainer
5	1	13748	Screw
6	2	13953	Program Wheel Cover Label
7	1	13802	Cycle Actuator Gear
8	1	13973	24 Hour Gear Assembly
9	1	14176	Valve Position Dial
10	1	14177	Control Knob
11	1	15151	Screw
12	1	51543	Silver Label

# Metermatic Cabinet/Twin Tank - 7500 Power Head

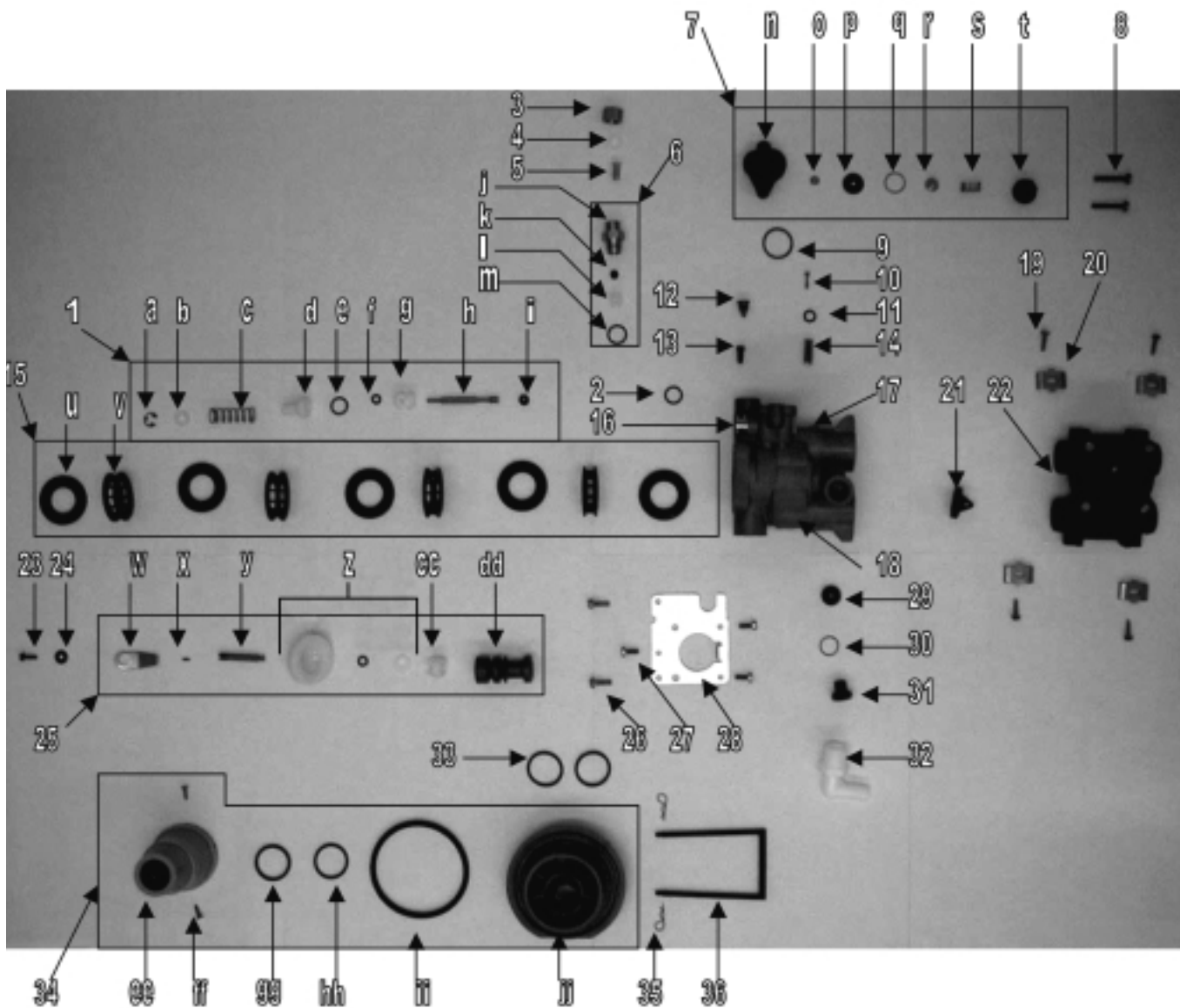
**BACK**



## 7500 Power Head - BACK

Item No.	Qty	Part No.	Description	Item No.	Qty	Part No.	Description
1	1	17055-02	Drive Housing / Receptacle	16	2	14457	Springs
2	1	13018	Idler Pinion	17	2	13300	1/4" Ball
3	1	13312	Spring	18	1	13170	Main Gear & Shaft
4	1	13017	Idler Gear	19	1	19430	7500 Brine Cam Assembly
5	1	13164	Drive Gear	a	1	16667	Brine Valve Cam
6	1	13175	Motor Mounting Plate	b	1	11081	Hex Nut
7	2	13296	Mounting Screws	c	1	16672	Timed Refill Label
8	1	18743-1	Drive Motor, 120 V	d	1	16671	Timed Refill Cam
9	3	11384	Screws	e	1	17114	Screw
10	1	29702	Lock Washer	20	1	12037	Plain Washer
11	1	11842	Power Cord	21	1	13296	Screw
12	1	13547	Strain Relief	22	1	16666	Program Wheel Pinion
13	2	11673	Connectors	23	1	13831	Drive Pinion Clutch
14	1	17213	Receptacle Retainer	24	1	17737	Meter Cable
15	1	17214	Receptacle	25	1	14276	Meter Clutch Sprint
				26	1	14253	Clutch Spring Retainer

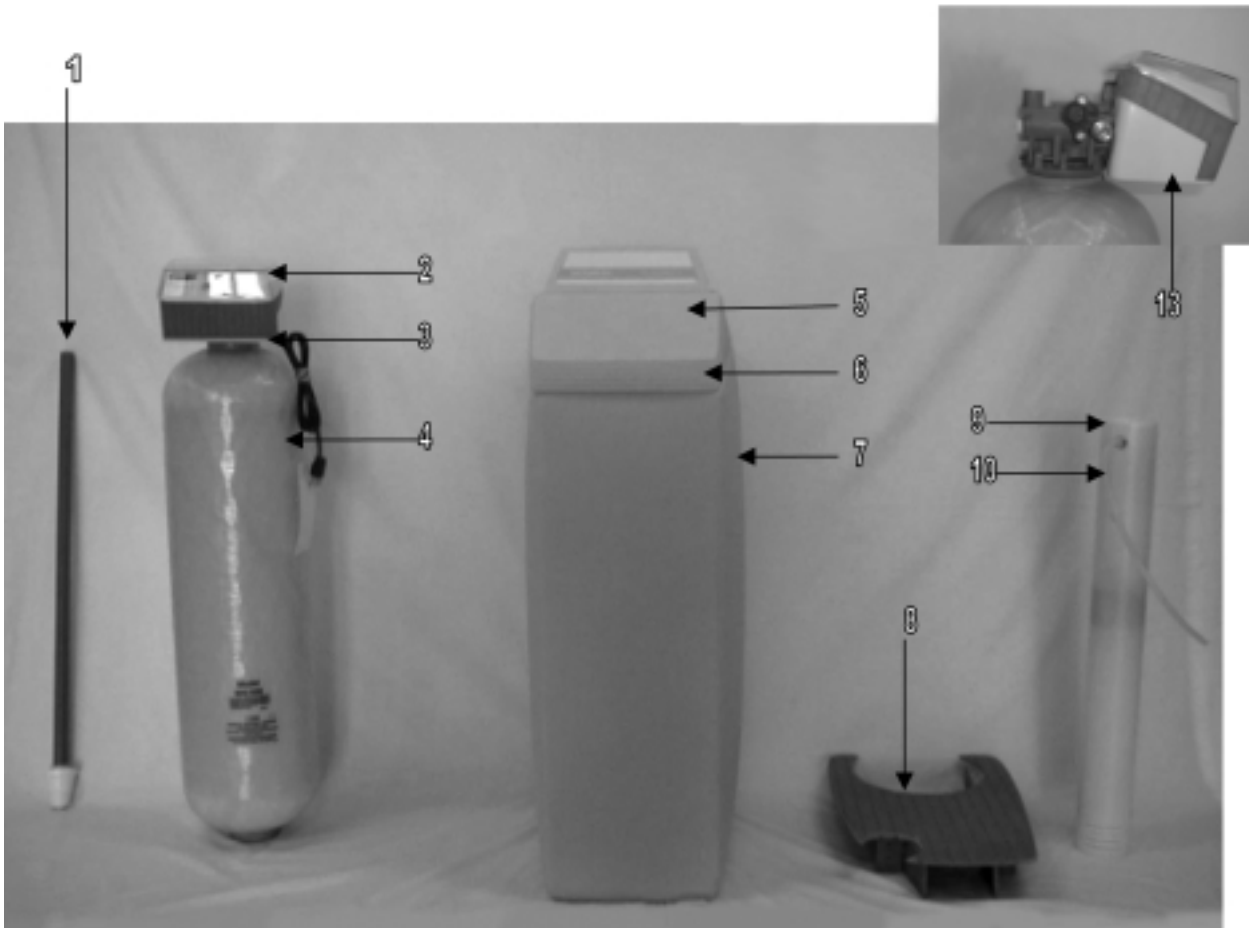
# Metermatic Cabinet/Twin Tank - 7500 Control Valve



# Metermatic Cabinet/Twin Tank - 7500 Control Valve

Item No.	Qty Req'd	Part No.	Description	Item No.	Qty Req'd	Part No.	Description
<b>1</b>	<b>1</b>	<b>19429</b>	<b>Brine Valve Assembly</b>	16	1	12128	BLFC Label, 0.25 GPM
a	1	11981-01	Retaining Ring	17	1	16928	Valve Body
b	1	16098	Brine Washer, Nylon	18	1	13333	Injector Label
c	1	11973	Brine Valve Spring	19	2	13314	Screws
d	1	13165	Brine Valve Cap	20	4	13255	Mounting Clip
e	1	13302	O-Ring	21	1	14613	Flow Straightener
f	1	12550	Quad Ring	22	1	60088-45	45 Degree Meter
g	1	13167	Brine Valve Spacer	23	1	13296	Screw
h	1	16670	Brine Valve Stem	24	1	13363	Plain Washer
i	1	12626	Brine Valve Seat	<b>25</b>	<b>1</b>	<b>19434</b>	<b>Piston Assembly</b>
2	1	13302	O-Ring	w	1	16660	Drive Link
3	1	10329	3/8" Brass Nut	x	1	13306	Roll Pin
4	1	10330	Delrin Sleeve	y	1	17730	Piston Rod
5	1	10332	Brass Insert	z	1	13446	End Plug Assembly
<b>6</b>	<b>1</b>	<b>19402</b>	<b>Control .25 Refill</b>	cc	1	14309	Piston Rod Retainer
j	1	13244	BLFC Adapter	dd	1	15701	Upflow Piston
k	1	12094	0.25 GPM Flow Washer	26	2	12473	Screws
l	1	13245	BLFC Button Retainer	27	3	12112	Screws
m	1	12977	O-Ring	28	1	16561	End Plug Retainer
<b>7</b>	<b>1</b>	<b>19475</b>	<b>Regulator Cap Assembly</b>	29	1	12086	1.50 GPM Flow Washer
n	1	15449	Regulator Body		1	12087	2.00 GPM Flow Washer
o	1	14846	Pressure Reg Washer	30	1	15348	O-Ring
p	1	14847	Regulator Diaphragm	31	1	13173	DLFC Button Retainer
q	1	14848	Slip Ring	32	1	12338	Hose Barb
r	1	23391	Seat	33	2	13304	O-Ring
s	1	14850	Regulator Spring	<b>34</b>	<b>1</b>	<b>19443</b>	<b>Tank Adapter "Softener"</b>
t	1	14851	Regulator Cap	ee	1	13700	Cone
8	2	13315	Screws	ff	2	13748	Screws
9	1	13303	O-Ring	gg	1	13030	Distributor Tube Retainer
10	1	23393	Regulator Poppet	hh	1	13304	O-Ring
11	1	13301	O-Ring	ii	1	12281	O-Ring
12	1	10913-00	Violet Injector Nozzle	jj	1	16926-01	Adapter Base
	1	10913-1	White Injector Nozzle	35	2	14915	Cotter Pin
13	1	10914-00	Violet Injector Throat	36	1	16560	Retaining Pin
14	1	15548	Pressure Reg Screen				
<b>15</b>	<b>1</b>	<b>13976</b>	<b>Seal &amp; Spacer Assembly</b>				
u	5	13242	Main Seals				
v	4	14241	Spacers				

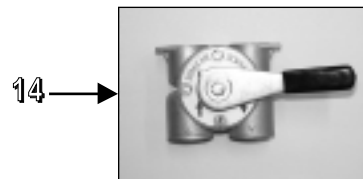
# Citation Cabinet Water Softener (Available in US only)



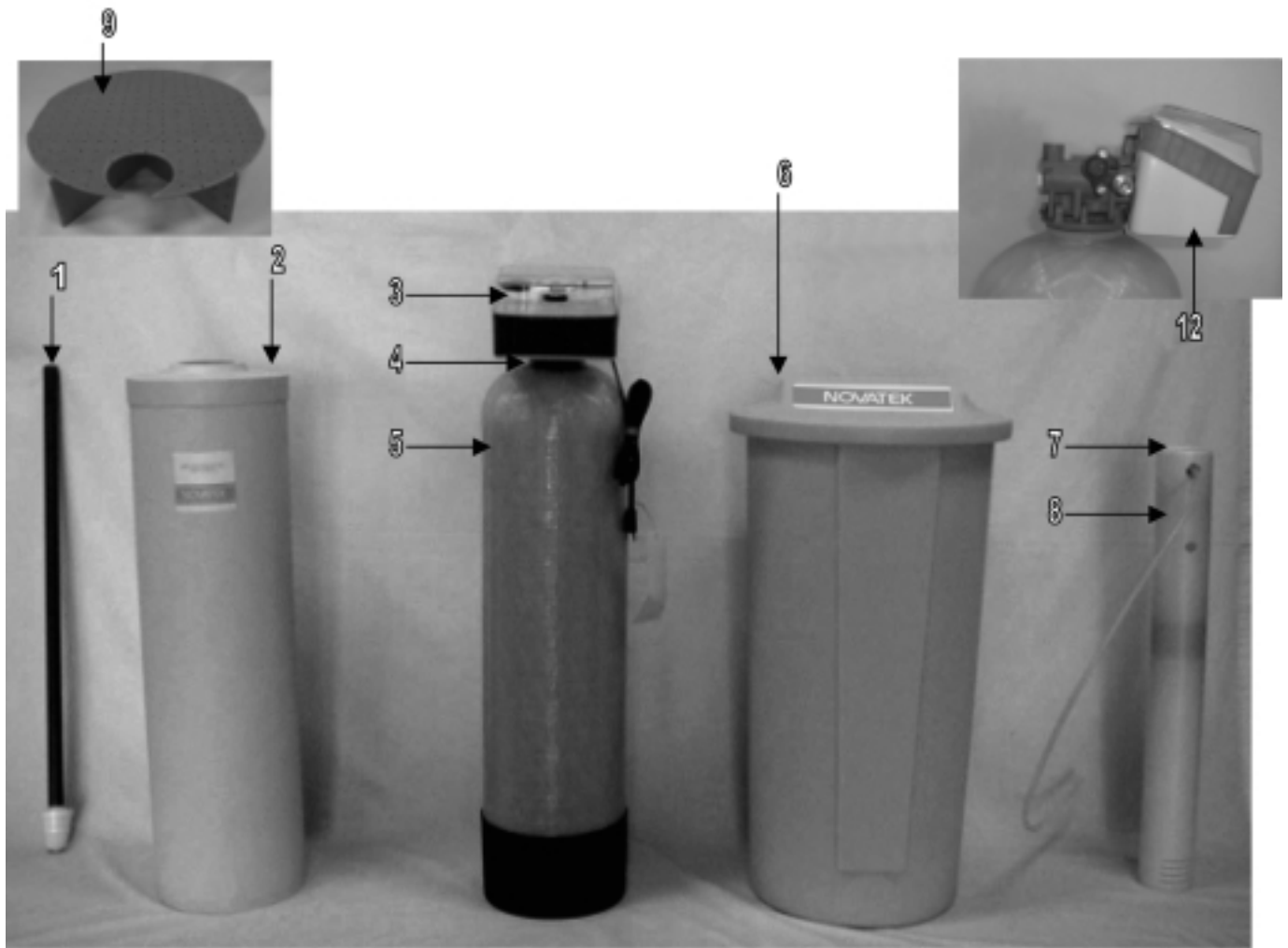
Part No.	Model Description	Valve #3	Tank #4	Grid #8	Resin (21501)	Gravel (22001)
3540-4	NC24CC	Call	19354	19715	0.75 CF	0.065 CF
3541-4	NC32CC	Call	110354	19716	1.00 CF	0.080 CF

## Common Components

Item No.	Part No.	Description
1	19495	Distributor
2	16685	Clear Cover
5	100292	Hood
6	100293	Lid
7	100294	Cabinet
9	48004	Brine Well Cap
10	13624	Safety Float
13	19446	Back Cover
14	60040SS	Bypass



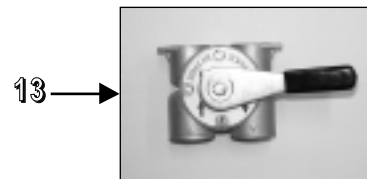
# (Available in US only) Citation Twin Tank Water Softener



Part No.	Model Description	Distributor #1	Jacket #2	Valve #4	Tank #5	Brine Tank #6	Safety Float #8	Grid #9	Resin (21501)	Media (22001)
3530-4	NT24CC	19495	100503	Call	19354	100283	13624	NA	0.75 CF	0.065 CF
3531-4	NT32CC	19495	100506	Call	110354	100283	13624	NA	1.00 CF	0.080 CF
3532-4	NT40CC	19478	100507	Call	110474	100362	13624	19725	1.25 CF	0.080 CF
3534-4	NT64CC	19477	NA	Call	112524	100362	13624	19725	2.00 CF	0.120 CF
3535-4	NT96CC	60098	NA	Call	114651	100362	13624	19726	3.00 CF	0.150 CF

### Common Components

Item No.	Part No.	Description
3	16685	Clear Cover
	7	Brine Well Cap
	12	Back Cover
	13	Bypass

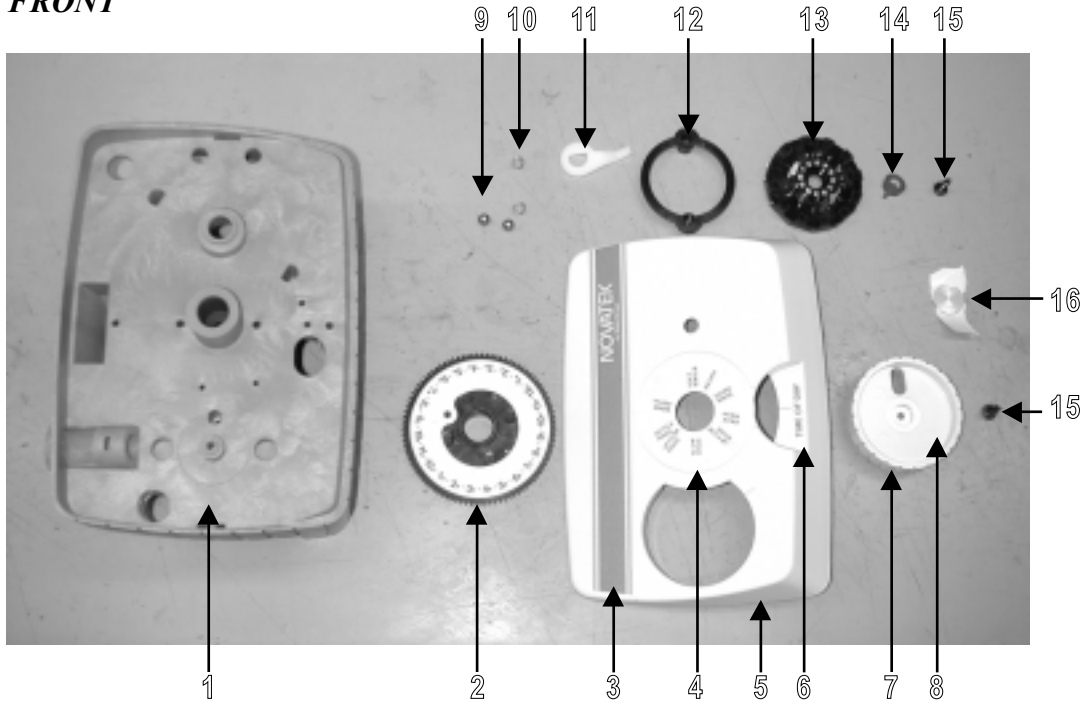


Unit 3535-4 includes a CPVC tank adapter - Part No. 81041  
 Distributor 60098 includes hub and laterals.



# Citation Cabinet/Twin Tank - 7500 Power Head

**FRONT**

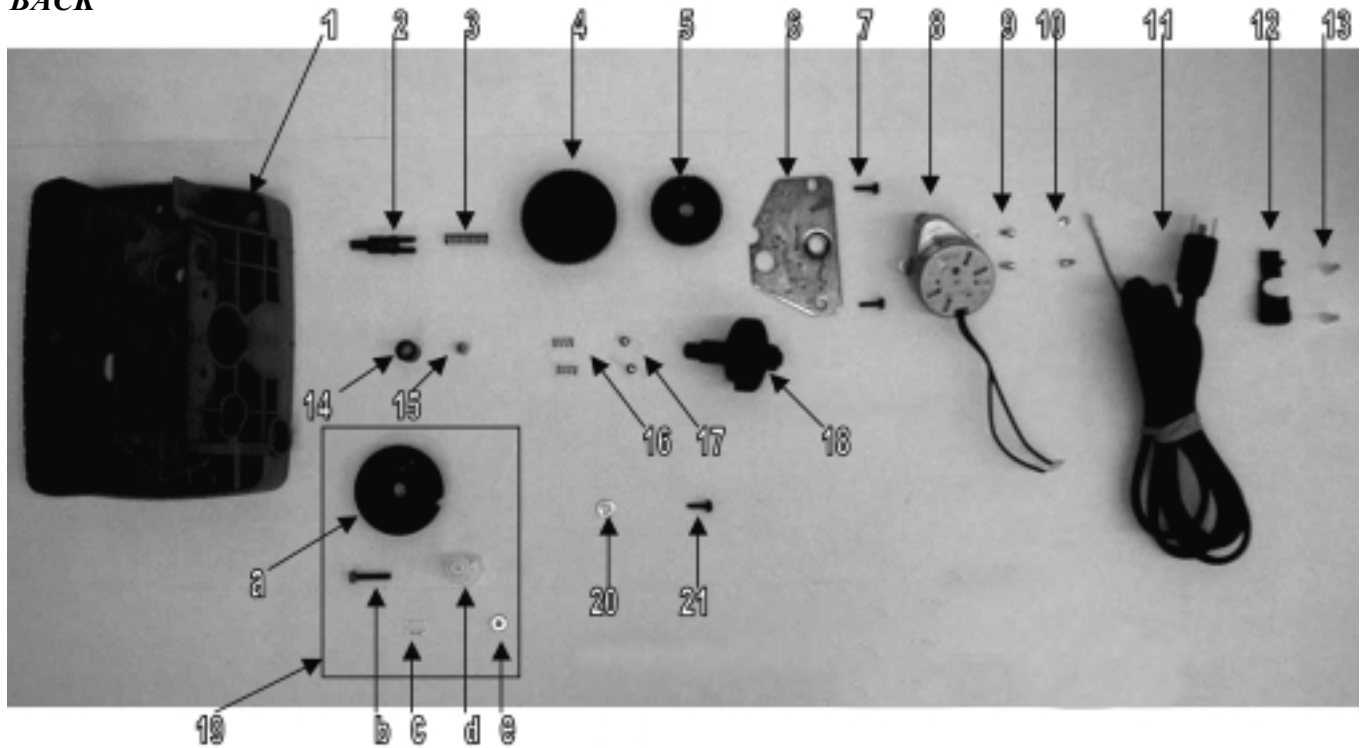


## 7500 Power Head - FRONT

Item No.	Qty	Part No.	Description
1	1	17055-02	Drive Housing/Receptacle
2	1	<b>19428</b>	<b>24 Hour Gear Assembly</b>
	1	13009	24 Hour Gear
	1	17056	24 Hour Label
3	1	51860	Novatek Stripe
4	1	17566	Valve Position Label
5	1	16684	Cover Plate
6	1	17115	Time of Day Label
7	1	16686	Control Knob
8	1	51869	Novatek Circle Label
9	2	13300	Ball
10	2	13311	Spring
11	1	13011	Actuator Arm
12	1	13864	Skipper Wheel Ring
13	1	14381	Skipper Wheel 12 Day Assembly
14	1	13014	Regeneration Pointer
15	2	13296	Screw
16	1	11999	Button Timer Label

# Citation Cabinet/Twin Tank - 7500 Power Head

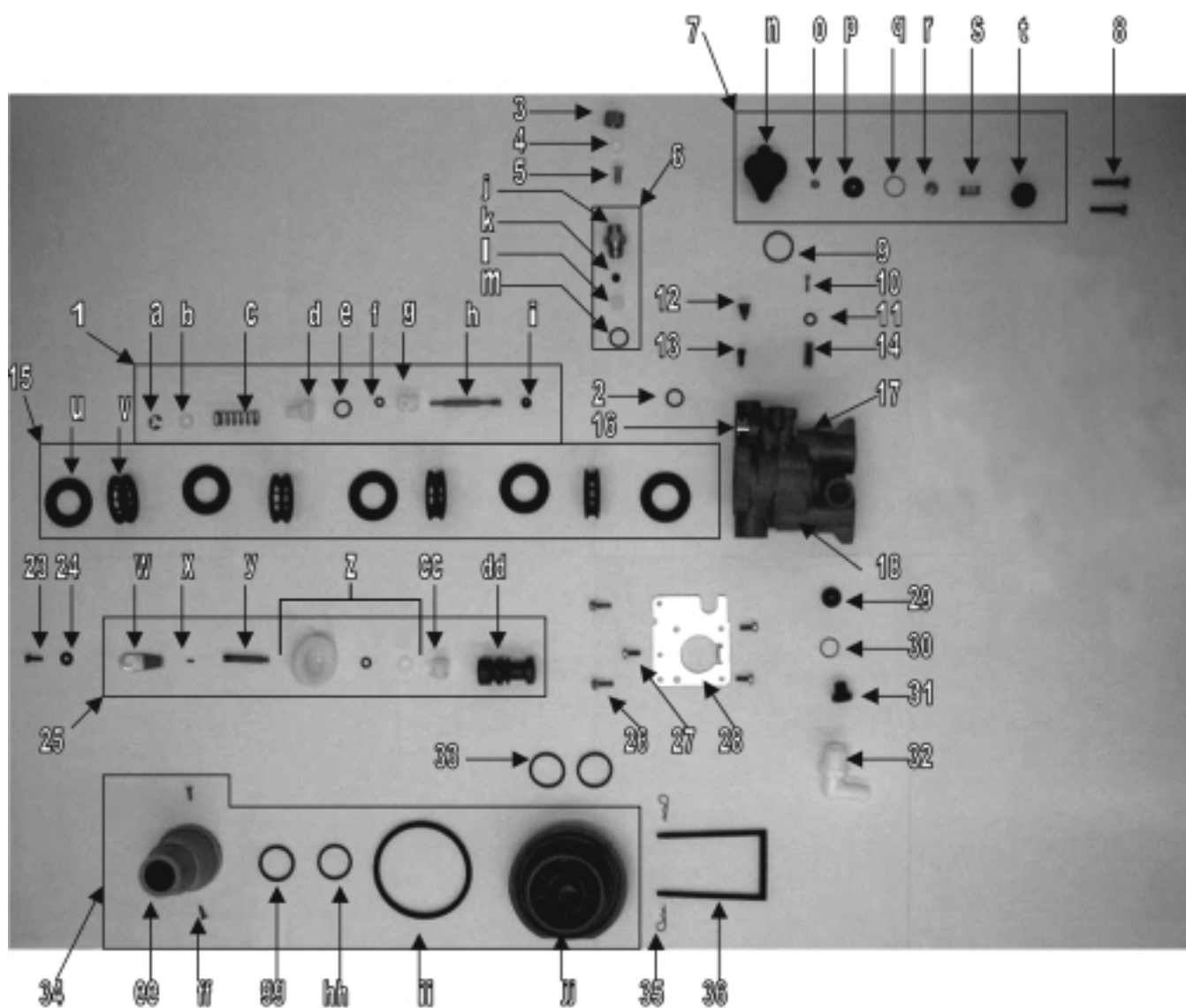
**BACK**



**7500 Power Head - BACK**

Item No.	Qty Req'd	Part No.	Description	Item No.	Qty Req'd	Part No.	Description
1	1	17055-02	Drive Housing / Receptacle	16	2	14457	Springs
2	1	13018	Idler Pinion	17	2	13300	1/4" Ball
3	1	13312	Spring	18	1	13170	Main Gear & Shaft
4	1	13017	Idler Gear	19	1	19430	7500 Brine Cam Assembly
5	1	13164	Drive Gear	a	1	16667	Brine Valve Cam
6	1	13175	Motor Mounting Plate	b	1	11081	Hex Nut
7	2	13296	Mounting Screws	c	1	16672	Timed Refill Label
8	1	18743-1	Drive Motor, 120 V	d	1	16671	Timed Refill Cam
9	3	11384	Screws	e	1	17114	Screw
10	1	29702	Lock Washer	20	1	12037	Plain Washer
11	1	11842	Power Cord	21	1	13296	Screw
12	1	13547	Strain Relief				
13	2	11673	Connectors				
14	1	17213	Receptacle Retainer				
15	1	17214	Receptacle				

# Citation Cabinet/Twin Tank - 7500 Control Valve



# Citation Cabinet/Twin Tank - 7500 Control Valve

Item No.	Qty Req'd	Part No.	Description	Item No.	Qty Req'd	Part No.	Description
<b>1</b>	<b>1</b>	<b>19429</b>	<b>Brine Valve Assembly</b>	16	1	12128	BLFC Label, 0.25 GPM
a	1	11981-01	Retaining Ring		1	10759	0.5 GPM Label
b	1	16098	Brine Washer, Nylon	17	1	16928	Valve Body
c	1	11973	Brine Valve Spring	18	1	13333	Injector Label
d	1	13165	Brine Valve Cap	23	1	13296	Screw
e	1	13302	O-Ring	24	1	13363	Plain Washer
f	1	12550	Quad Ring	<b>25</b>	<b>1</b>	<b>19434</b>	<b>Piston Assembly</b>
g	1	13167	Brine Valve Spacer	w	1	16660	Drive Link
h	1	16670	Brine Valve Stem	x	1	13306	Roll Pin
i	1	12626	Brine Valve Seat	y	1	17730	Piston Rod
2	1	13302	O-Ring	z	1	13446	End Plug Assembly
3	1	10329	3/8" Brass Nut	cc	1	14309	Piston Rod Retainer
4	1	10330	Delrin Sleeve	dd	1	15701	Upflow Piston
5	1	10332	Brass Insert	26	2	12473	Screws
<b>6</b>	<b>1</b>	<b>19402</b>	<b>Control .25 Refill</b>	27	3	12112	Screws
j	1	13244	BLFC Adapter	28	1	16561	End Plug Retainer
k	1	12094	0.25 GPM Flow Washer	29	1	12086	1.50 GPM Flow Washer
	1	12095	0.50 GPM Flow Washer		1	12087	2.00 GPM Flow Washer
l	1	13245	BLFC Button Retainer	30	1	15348	O-Ring
m	1	12977	O-Ring	31	1	13173	DLFC Button Retainer
<b>7</b>	<b>1</b>	<b>19475</b>	<b>Regulator Cap Assembly</b>	32	1	12338	Hose Barb
n	1	15449	Regulator Body	33	2	13304	O-Ring
o	1	14846	Pressure Reg Washer	<b>34</b>	<b>1</b>	<b>19443</b>	<b>Tank Adapter "Softener"</b>
p	1	14847	Regulator Diaphragm	ee	1	13700	Cone
q	1	14848	Slip Ring	ff	2	13748	Screws
r	1	23391	Seat	gg	1	13030	Distributor Tube Retainer
s	1	14850	Regulator Spring	hh	1	13304	O-Ring
t	1	14851	Regulator Cap	ii	1	12281	O-Ring
8	2	13315	Screws	jj	1	16926-01	Adapter Base
9	1	13303	O-Ring	35	2	14915	Cotter Pin
10	1	23393	Regulator Poppet	36	1	16560	Retaining Pin
11	1	13301	O-Ring				
12	1	10913-00	Violet Injector Nozzle				
	1	10913-1	White Injector Nozzle				
	1	10913-0	Reg Injector Nozzle				
	1	10913-2	Blue Injector Nozzle				
13	1	10914-00	Violet Injector Throat				
	1	10914-0	Red Injector Throat				
	1	10914-2	Blue Injector Throat				
14	1	15548	Pressure Reg Screen				
<b>15</b>	<b>1</b>	<b>13976</b>	<b>Seal &amp; Spacer Assembly</b>				
u	5	13242	Main Seals				
v	4	14241	Spacers				

# High Flow 7000SXT Twin Tank Water Softener

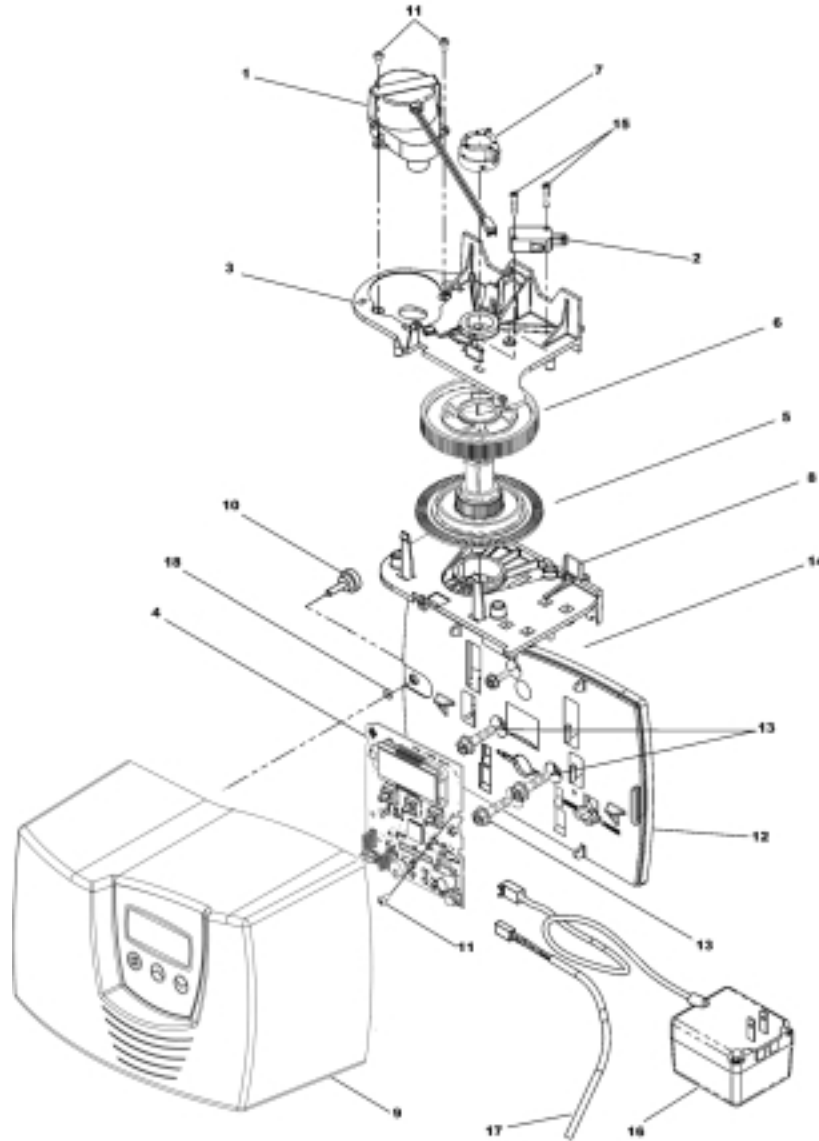


Part No.	Model Description	Distributor #1	Jacket #3	Valve #2	Tank #4	Brine Tank #5	Grid #6	Safety Float #7	Resin (21501)
4200	HF30EM	19495	100506	Call	110354	100283	NA	13624	1.00 CF
4201	HF45EM	19478	100508	Call	110544	100192	19709	13624	1.50 CF
4202	HF60EM	19477	N/A	Call	112524	100192	95009-21	13624	2.00 CF
4203	HF90EM	13860	N/A	Call	114651	100192	19706	13624	3.00 CF

## Common Components

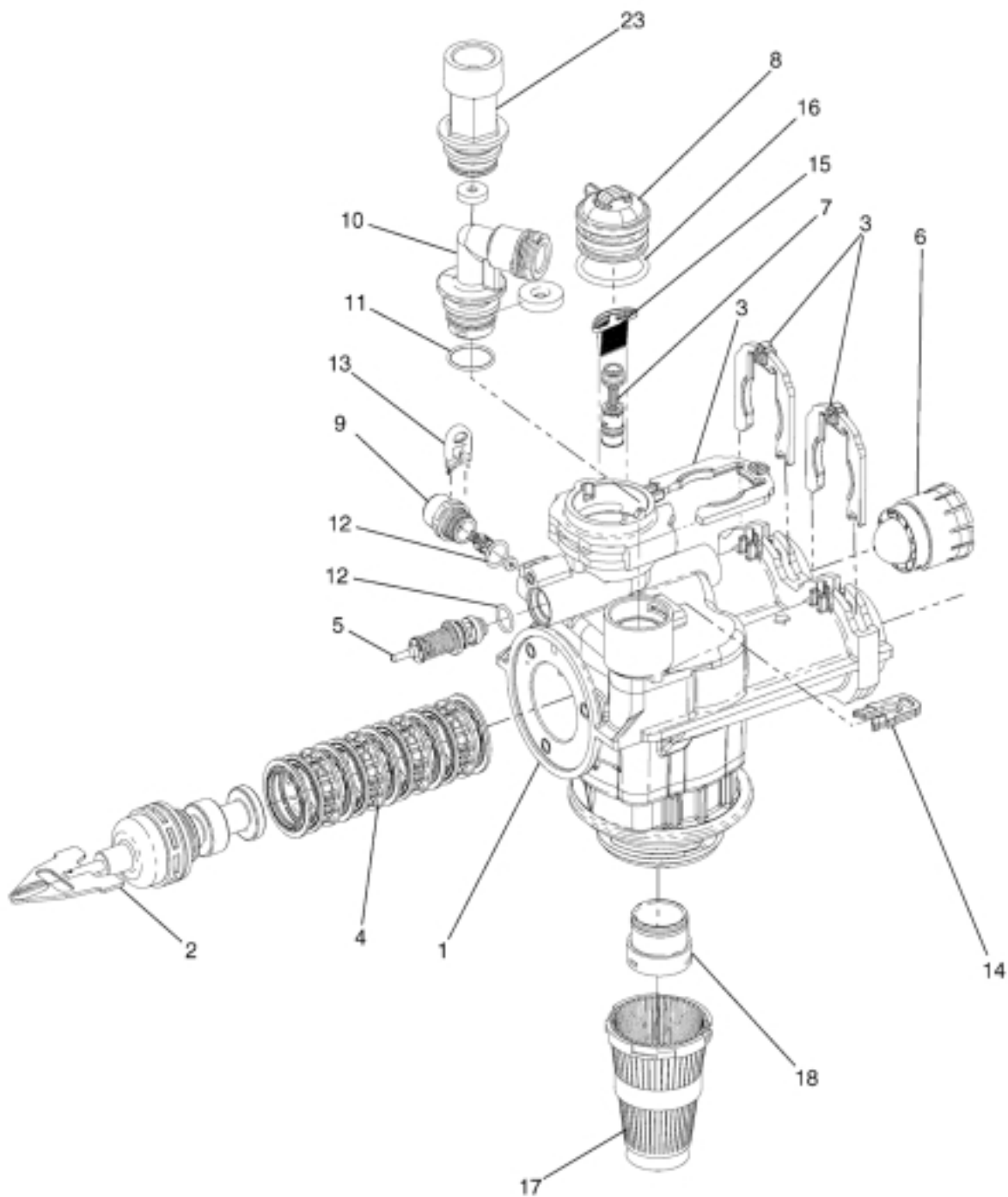
Item No.	Part No.	Description
8	48004	Brine Well Cap

# High Flow Twin Tank - 7000SXT Power Head



Item No.	Qty Req'd	Part No.	Description	Item No.	Qty Req'd	Part No.	Description
1	1	40968	Motor	10	1	19367	Screw, thumb
2	1	10218	Optional auxiliary switch	11	3	13602	Screw, 6-32x.312"
3	1	40978	Plate, upper support	12	1	40980	Backplate
4	1	BR61696	Circuit board	13	3	40967	Screw, 1/4-20x1.0"
5	1	40702	Shaft, encoder	14	1	15727	Screw, 10-24x1/2"
6	1	40703	Gear, main drive	15	2	11805	Screw, 4-40x5/8"
7	1	40704	Cam, brine, down flow	16	1	40981	Transformer, US 24V, 9.6VA
		40977	Cam, aux. switch/filter	17	1	19791-01	Meter cable assembly, turbine
8	1	40979	Plate, lower support	18	1	41122	O-ring
9	1	40709	Cover assembly				

# High Flow Twin Tank - 7000SXT Valve Assembly

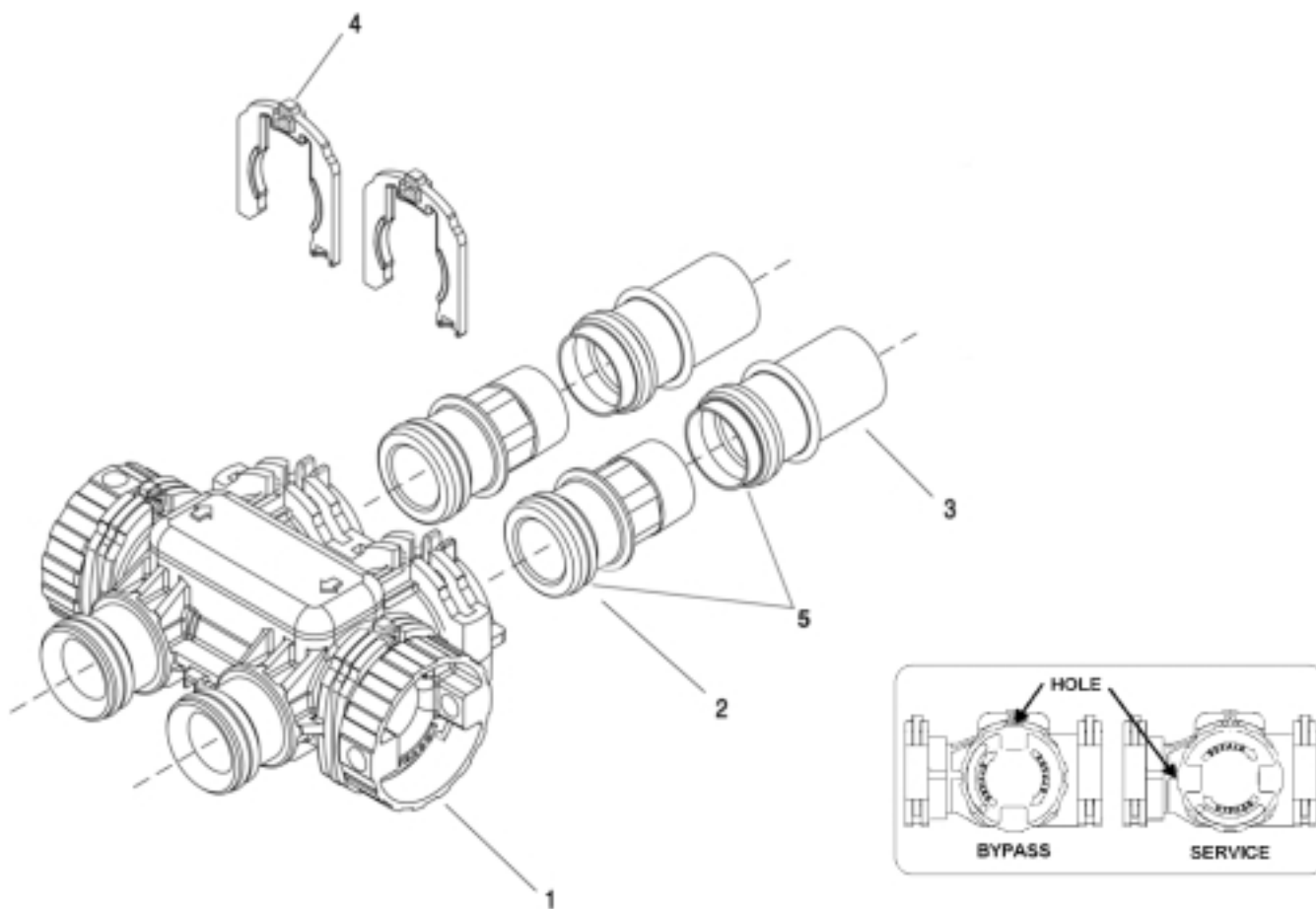


# High Flow Twin Tank - 7000SXT Valve Assembly

Item No.	Qty Req'd	Part No.	Description	Item No.	Qty Req'd	Part No.	Description
1	1	61050	Valve body assembly	10	1	61XXX	DLFC assemblies
2	1	61452-10	Piston assembly, 7000 softener, D/F 35 GPM				<b>DLFC</b>
		61453-10	Piston assembly, 7000 softener, D/F 28 GPM				<b>Part #      Size      GPM</b>
		61452-20	Piston assembly, 7000 filter				61455-17    3/4"    1.7
3	3	40576	Clip, H, plastic				61455-20    3/4"    2.0
4	1	61438	Seal and spacer kit				61455-24    3/4"    2.4
5	1	19429	Brine valve, 7000				61455-30    3/4"    3.0
6	1	40577	Turbine meter assembly				61455-35    3/4"    3.5
7	1	61XXX	Injector assemblies				61455-40    3/4"    4.0
			<b>Part #      Injector #</b>				61455-45    3/4"    4.5
			61454-000    #000				61455-50    3/4"    5.0
			61454-00    #00	11	1	13303	61455-60    3/4"    6.0
			61454-0    #0	12	2	13302	61455-70    3/4"    7.0
			61454-1    #1				11    1    13303    O-ring, -021
			61454-2    #2				12    2    13302    O-ring, 014
			61454-3    #3	13	1	40946	13    1    40946    Clip, brine retaining
			61454-4    #4	14	1	40945	14    1    40945    Clip, drain retaining
			61454-5    #5	15	1	40950	15    1    40950    Screen, injector
8	1	40556	Cap, injector	16	1	40951	16    1    40951    O-ring, -220
9	1	61XXX	BLFC assemblies	17	1	18280	17    1    18280    Collector, top 1"x.011, gray
			<b>BLFC</b>	18	1	61419	18    1    61419    Kit, 1.05" dist. adapter
			<b>Part #      Size      GPM</b>	23	1	61XXX	23    1    61XXX    DLFC kits
			61450-12    3/8"    0.125				<b>DLFC</b>
			61450-25    3/8"    0.25				<b>Part #      Size      GPM</b>
			61450-50    3/8"    0.50				61456-8.0    1"    8.0
			61450-100    3/8"    1.0				61456-9.0    1"    9.0
			61451-12    1/2"    0.125				61456-10    1"    10.0
			61451-25    1/2"    0.25				61456-12    1"    12.0
			61451-50    1/2"    0.50				61456-15    1"    15.0
			61451-100    1/2"    1.0				61456-20    1"    20.0
							61456-25    1"    25.0
							61456-30    1"    30.0



# High Flow Twin Tank 7000SXT Bypass Assembly



## IMPORTANT

To bypass the valve, turn bypass knob on both sides of the valve to bypass position. (See inset)

When returning to service, put the inlet into service before the outlet.

Item No.	Qty Req'd	Part No.	Description
1	1	40569	7000 bypass assembly
2	1	40563-01	Connector, 1" NPT
		40565-01	Connector, 1-1/4" NPT
3	1	61626	Connector, 3/4" & 1" sweat, copper
		41242-01	Connector, 1" & 1-1/4" sweat, copper
		41243-01	Connector, 1-1/4" & 1-1/2" sweat, copper
4	2	40576	Clip, H, plastic
5	1	40951	O-ring

# TMI - 9100SXT Twin Meter Initiated Water Softener



<u>Part No.</u>	<u>Model Description</u>	<u>Distributor (1)</u>	<u>Jacket (2)</u>	<u>Valve (3)</u>	<u>Tank (4)</u>	<u>Brine Tank (5)</u>	<u>Grid (8)</u>	<u>Resin (21501)</u>	<u>Gravel (22001)</u>
3917	NT32TM	19495	100506	91001-08	110354	100283	NA	2.0 CF	0.16 CF
3918	NT40TM	19478	100507	91001-09	110474	100362	19725	2.5 CF	0.16 CF
3919	NT48TM	19477	100508	91001-09	110544	100362	19725	3.0 CF	0.16 CF

## Common Components

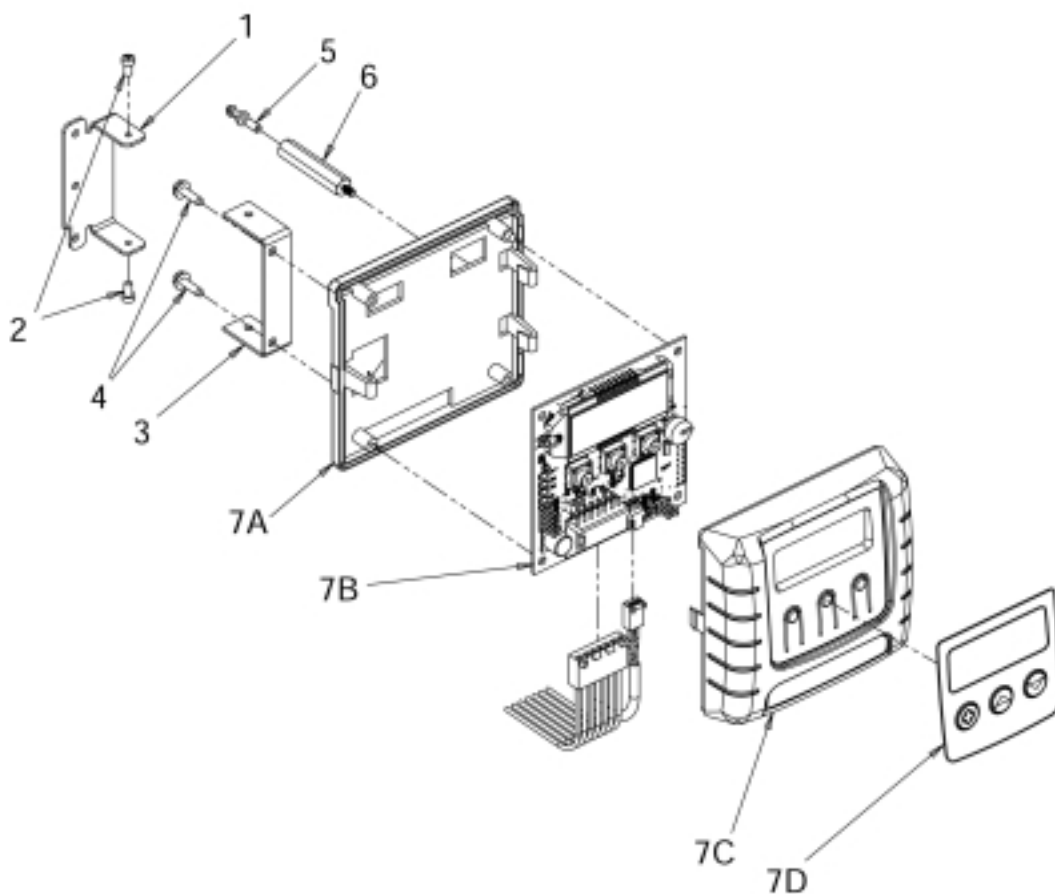
<u>Item No.</u>	<u>Part No.</u>	<u>Description</u>
6	48004	Brine Well Cap
7	13624	Safety Float

All units also come with a DLF Control which includes:

11183	O-Ring
11385-01	Control Housing
12087	2.0 GPM Flow Washer

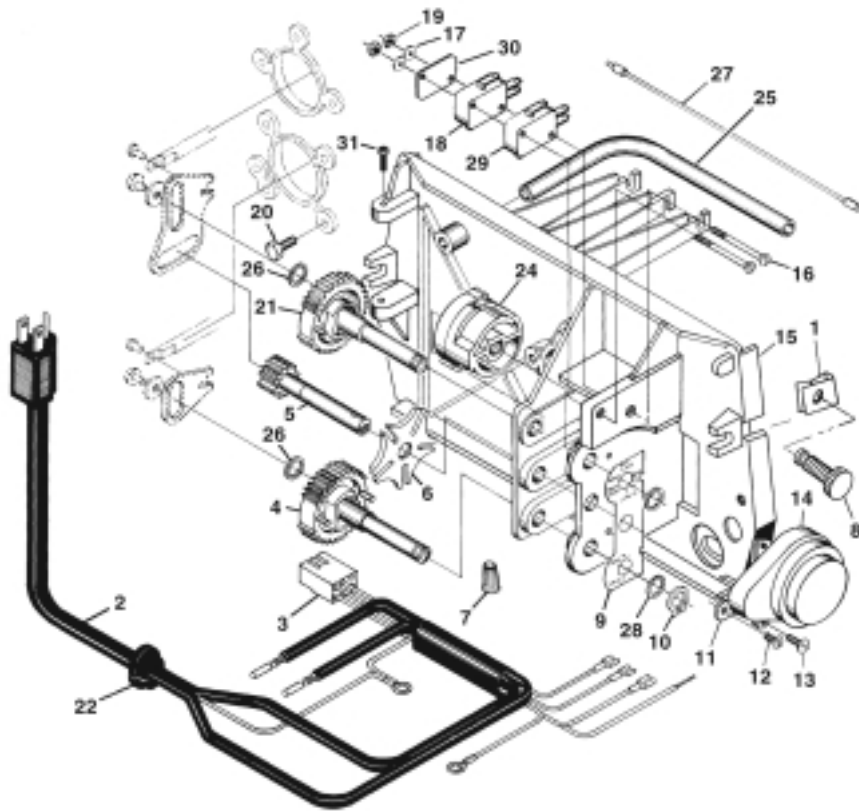


# TMI - 9100SXT Timer Assembly



<u>Item No.</u>	<u>Qty Req'd</u>	<u>Part No.</u>	<u>Description</u>
1	1	13881	Bracket, Hinge Timer
2	2	11384	Screw, Phil, 6-32 X 1/4
3	1	42732	Bracket, Timer, 9000SXT
4	2	13296	Screw, Hex Wsh, 6-20 X 1/2
5	1	14265	Clip, Spring
6	1	42733	Stand-Off,Timer, 9000SXT
7A	1	19889	Housing, Circuit Board
7B	1	42196	Circuit Board, SXT
7C	1	42635	Cover, Front, SXT, Square
7D	1	42637	Label, Display, SXT

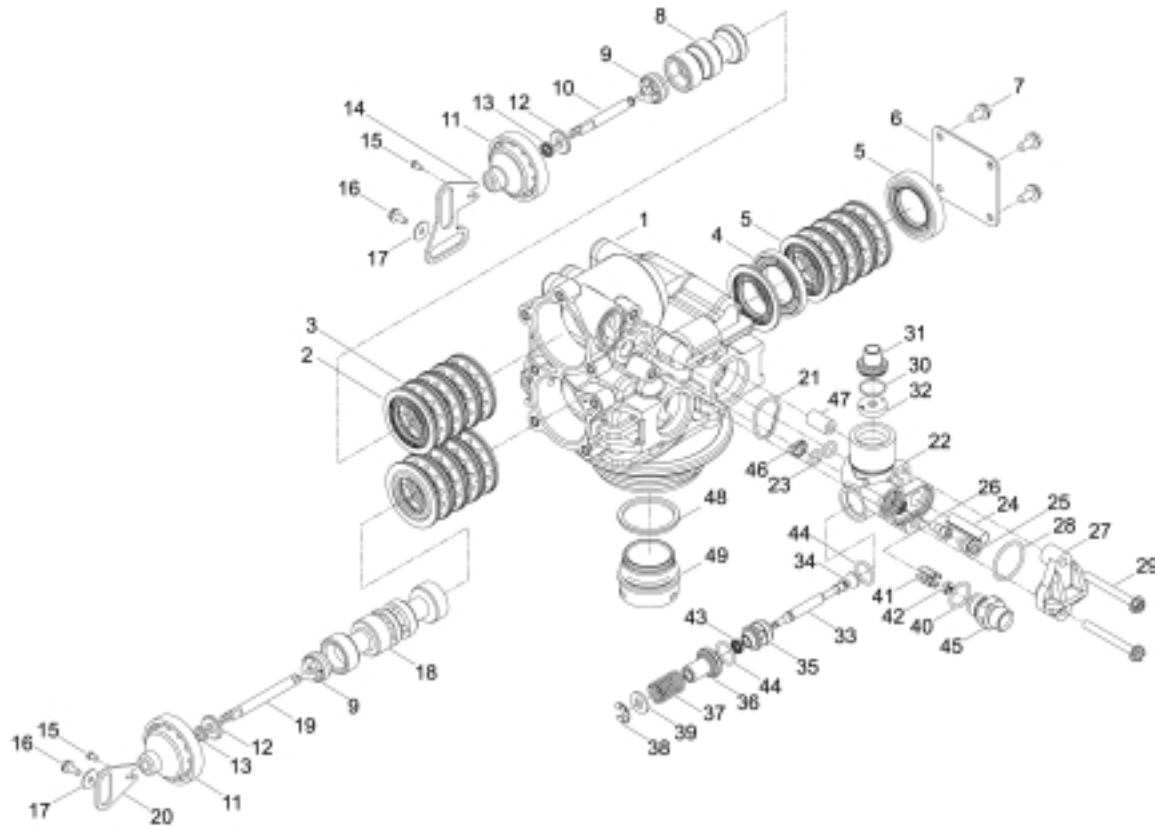
# TMI - 9100SXT Power Head Assembly



Item No.	Qty Req'd	Part No.	Description	Item No.	Qty Req'd	Part No.	Description
1	2	14932	Nut, Tinnerman, U Type, 8-32	17	2	10340	Washer, Lock #4, Zinc
2	1	11838	Power Cord, 6' Fleck	18		10218	Switch, Micro
		40084-12	Power Cord, 12' U.S., Round, 120V Sys 5, 6, 7 & 2900/3150/3900 #4	19	1	10339	Nut, Hex, 4-40 Zinc Plated
		14678	Power Cord, U.S., 220/60	20	1	15331	Screw, Hex Wsh Mach, 10-24 x 3/4 410 S.S.
		19674	Transformer, 24V, 9.6VA Residential Valves	21	2	15133	Gear Assy, Drive, 3/4" Stroke
		41475	Transformer, 24V, 9.6VA, European	22	1	13547	Strain Relief, Flat Cord Heyco #30-1
3	1	15202	Harness, 9000/9500, Drive	23	1	15810	Ring, Retaining
		14822	Harness, 2900	24	1	17331	Cam, 9000, Triple
4	1	15134	Gear Assy, Drive, 1/2" Stroke 9000/9500	25	1	15368	Tube, Cable Guide, 2-Tank
5	1	15135	Gear, Drive, 9000	26	2	15372	Washer, Thrust, 3/8
6	1	14896	Wheel, Geneva	27	1	15216	Meter Cable Assy, 15.25"
7	2	40422	Nut, Wire, Tan			15425	Meter Cable, 13.25"
8	2	19367	Screw, Designer Cover, Thumb 8-32 Blank UV Stable Material			17744	Meter Cable Assy, 20.75" 1 1/2" Std
9	1	15175	Label, Shaft Position			19121-01	Meter Cable Assy, SE, Paddle 6600/6700
10	2	14917	Ring, Retaining			19121-05	Meter Cable Assy, ET, 28" 2750/3150 Systemax 4-6
11	1	15199	Plate, Ground, 9000/9500			19791-01	Meter Cable Assy, Turbine/SE
12	1	14430	Screw, Hex Wsh St, 6 x 1/4 Type "B"	28	2	15692	Washer, Plain, 3/8"
13	2	19160	Screw, Phil Pan, Thread 6-32 x 3/8 Type 23 Zinc	29	1	16433	Switch, Miniature
14	1	61633-00	Motor, 24V, 50/60 Hz, 1 RPM	30	1	10302	Insulator, Limit Switch
		61633-01	Motor, 120V, 50/60 Hz 1 RPM	31	2	19160	Screw, Slot Rd Hd Mach, 5-20 x 3/8
		18739	Motor, 220V, 50/60 Hz 1 RPM	N/S	1	19291-020	Cover, Designer, 1 Pc Black
15	1	15131	Backplate, 9000	N/S	1	60232-112	Cover, Designer, 1 Pc Black w/Left Window
		17784-05	Panel, Control, 9000/9500 ET				
16	2	15172	Screw, Flt Hd Mach, 4-40 x 1 3/8 Steel Zinc Plate				

N/S - Not Shown

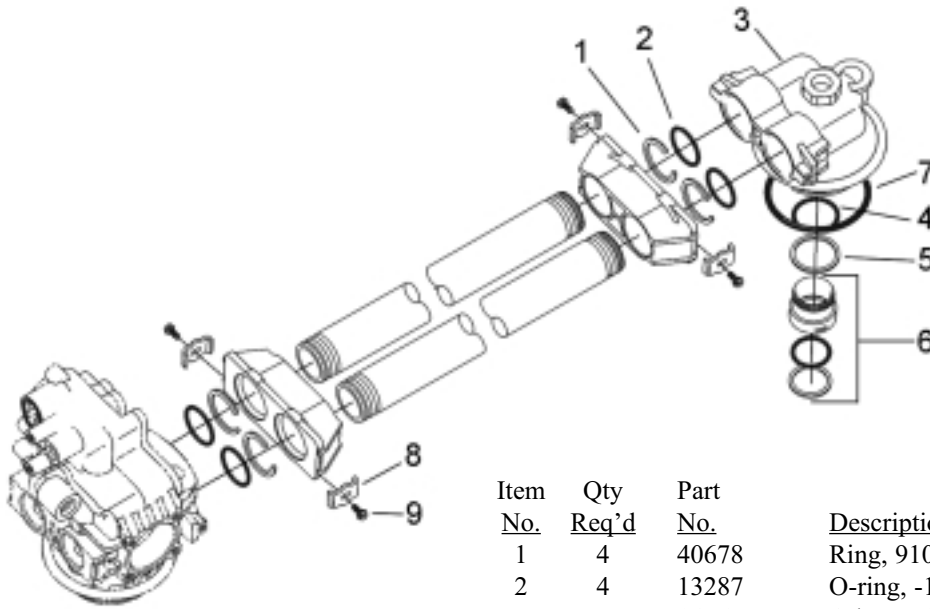
# TMI - 9100SXT Control Valve Assembly



Item No.	Qty Req'd	Part No.	Description	Item No.	Qty Req'd	Part No.	Description
1	1	40688	Valve Body Assy, 9100	28	1	13303	O-ring, -.021
2	16	13242	Seal, 5600	29	2	13387	Screw, Hex Hd Wash, 10-24 x 1 3/4
3	12	14241	Spacer, 5600	30	1	15348	O-ring, -.563
4	1	16595	Spacer, 9000	31	1	13173	Retainer, DLFC Button
5	1	14928	Plug, End Stub, 9000	32	1	12085	Washer, Flow, 1.2 GPM
6	1	14906	Plate, End, 9000	33	1	14925	Brine Valve Stem, 9000
7	4	15137	Screw, Hex Wsh Mach, 10-24 x 3/8	34	1	12626	Seat, Brine Valve
8	1	14914	Piston, 9000, Upper	35	1	13167	Spacer, Brine Valve
9	2	14309	Retainer, Piston Rod	36	1	13165	Cap, Brine Valve
10	1	14919	Rod, Piston, Upper	37	1	11973	Spring, Brine Valve
11	2	13243	Plug, End, 5600	38	1	11981-01	Ring, Retaining
12	2	13008	Retainer, End Plug Seal	39	1	16098	Washer, Nylon Brine
13	2	10209	Quad Ring, -.010	40	1	12977	O-ring, -.015
14	1	14921	Link, Piston Rod	41	1	13245	Retainer, BLFC
15	2	11335	Screw, Slot Phil Hd, 4-40 x 3/16	42	1	12095	Washer, Flow, .50 GPM
16	2	17020	Screw, Slot Ind Hex, 6-20 x 3/8	43	1	12550	Quad Ring, -.009
17	2	13363	Washer, Plain, .145 ID SS	44	2	13302	O-ring, -.014
18	1	14905	Piston, 9000	45	1	13244	Adapter, BLFC
19	1	14920	Rod, Piston, Lower, 9000	46	1	13497	Disperser, Air, 5600
20	1	15019	Link, Piston Rod, 9000/9500	47	1	13361	Spacer, 4650/9000/WCC
21	1	41500	O-ring, Drain, 9100	48	1	40538	Retainer, 32mm, O-ring Dist, 7000
22	1	15215	Body, Injector, 9000	49	1	61419	Kit, 1.05" Distributor, Adapter
23	2	13301	O-ring, -.011, Injector	N/S	1	13333	Label, Injector, Blank
24	1	10227	Screen, Injector	N/S	1	10759	Label, .5 GPM, 1.5 LBS Salt/Min
25	1	10913-1	Nozzle, Injector, #1, White				
26	1	10914-1	Throat, Injector, #1, White				
27	1	13166	Cap, Injector, 5600				

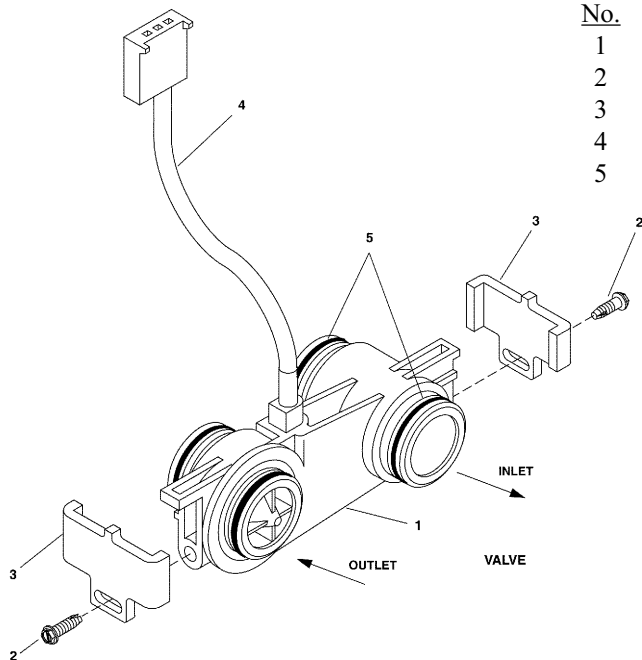
N/S - Not Shown

# TMI - 9100SXT Tank Adapter Assembly



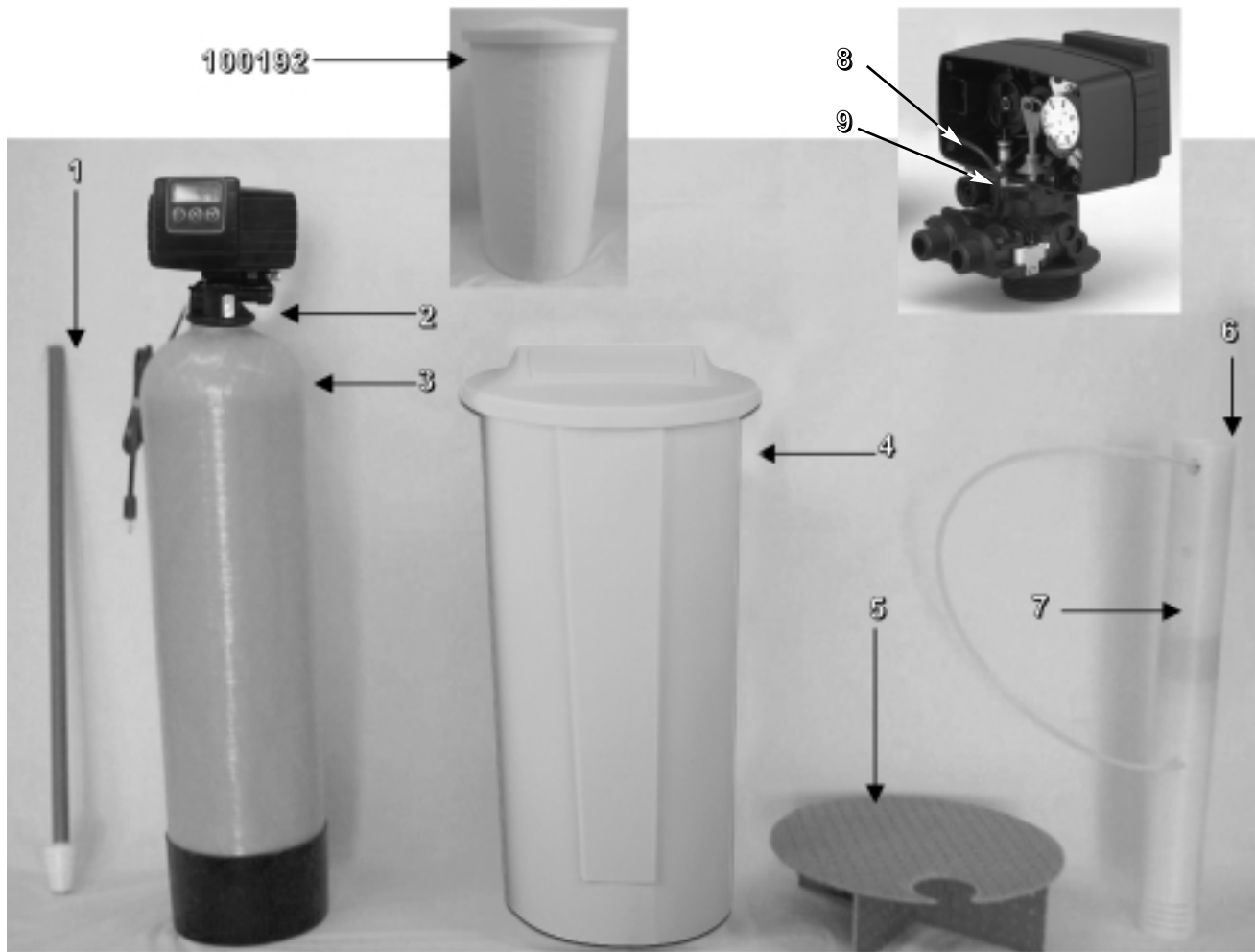
Item No.	Qty Req'd	Part No.	Description
1	4	40678	Ring, 9100, Yoke Retainer
2	4	13287	O-ring, -123
3	1	14865	Adapter Assy, 2nd Tank, 9100
4	1	19054	O-ring, -124
5	1	40538	Retainer, 32mm, O-ring Dist, 7000
6	1	61419	Kit, 1.05" Distributor, Adapter
7	1	18303	O-ring, -336
8	4	13255	Clip, Mounting
9	4	14202-01	Screw, Hex Wsh Mach, 8-32 x 5/16

# TMI - 3/4" Electronic Turbine Meter



Item No.	Qty Req'd	Part No.	Description
1	1	19797	Meter Body Assembly
2	2	13314	Screw, Hex Washer, 8-18 x 5/8"
3	2	19569	Clip, Flow Meter
4	1	19791-01	Electrical Harness
5	4	13305	O-Ring - 119

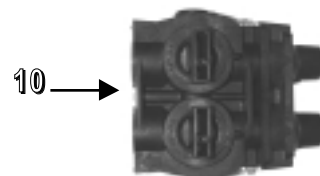
# Econoflo SXT Twin Tank Water Softener



Part No.	Model Description	Distributor (1)	Valve (2)	Tank (3)	Brine Tank (4)	Grid (5)	Safety Float (7)	Resin #21501
2102	EFT20SXT	19495	56019-61	19354	100283	NA	13624	0.75 CF
2103	EFT30SXT	19495	56019-87	110354	100283	NA	13624	1.00 CF
2104	EFT40SXT	19478	56019-88	110474	100283	NA	13624	1.25 CF
2105	EFT60SXT	19477	56019-63	112524	100192	19710	13624	2.00 CF
2106	EFT90SXT	60098	56019-64	114651	100192	95009-21	13624	3.00 CF

## Common Components

Item No.	Part No.	Description
6	48004	Brine Well Cap
8	19791-01	Meter Cable
9	60026	Meter
10	60049	Bypass



Unit 2106 includes a CPVC tank adapter - Part No. 81041  
Distributor 60098 includes hub and laterals

**See 5600SXT Valve  
parts breakdown on  
pages 276-277.**

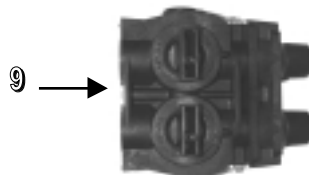
# Econoflo SXT Cabinet Water Softener



<u>Part No.</u>	<u>Model</u> <u>Description</u>	<u>Valve</u> <u>(2)</u>	<u>Tank</u> <u>(3)</u>	<u>Resin</u> <u>#21501</u>
2100	EFC20SXT	56019-61	19354	0.75 CF
2101	EFC30SXT	56019-87	110354	1.00 CF

### Common Components

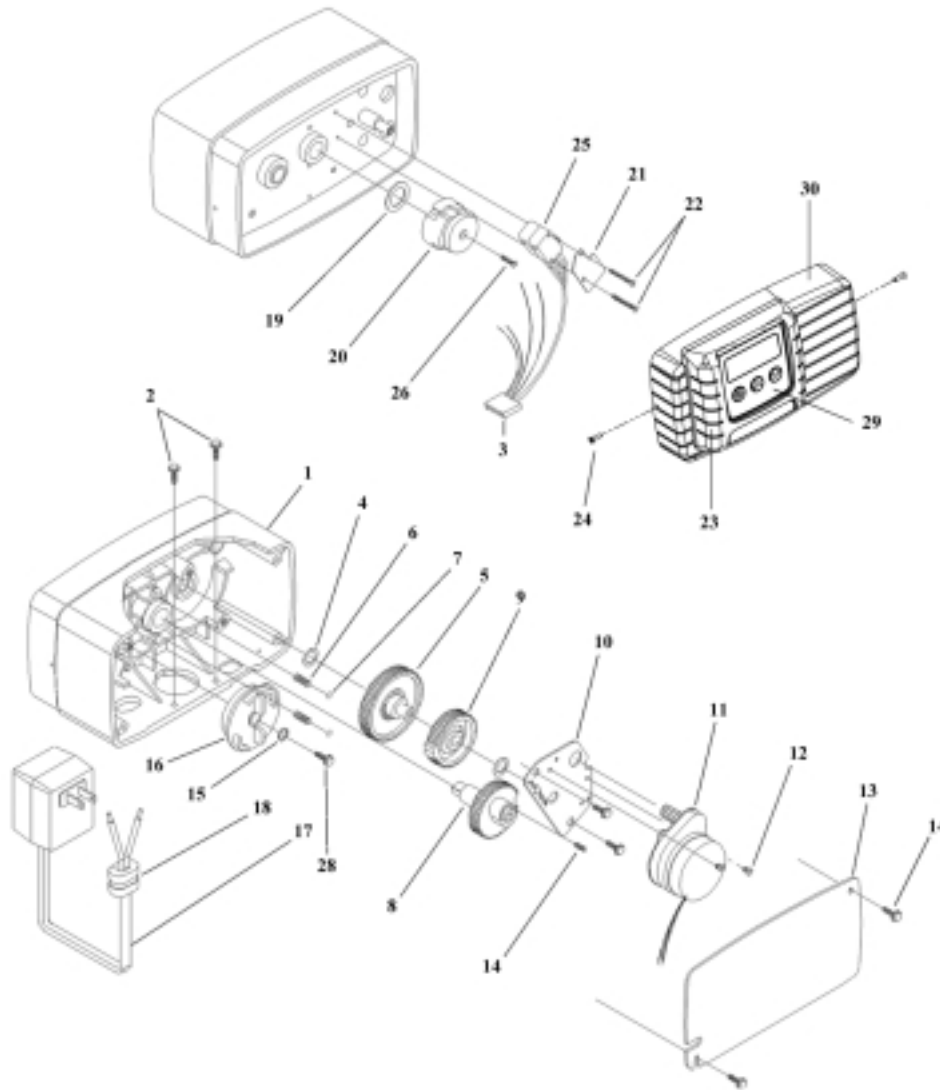
<u>Item No.</u>	<u>Part No.</u>	<u>Description</u>
1	19495	Distributor
4	100203	Cabinet
5	48004	Brine Well Cap
6	13624	Safety Float
7	19791-01	Meter Cable
8	60026	Meter
9	60049	Bypass



**See 5600SXT Valve  
parts breakdown on  
pages 276-277.**

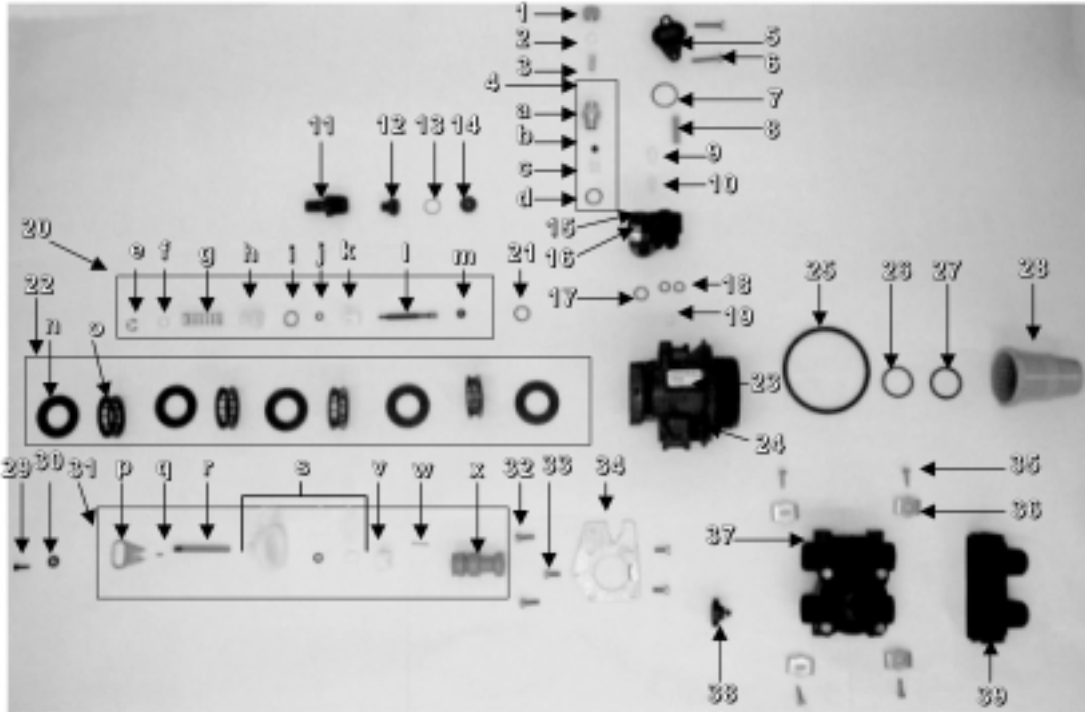


# Econoflo SXT Cabinet/Twin Tank - 5600SXT Powerhead



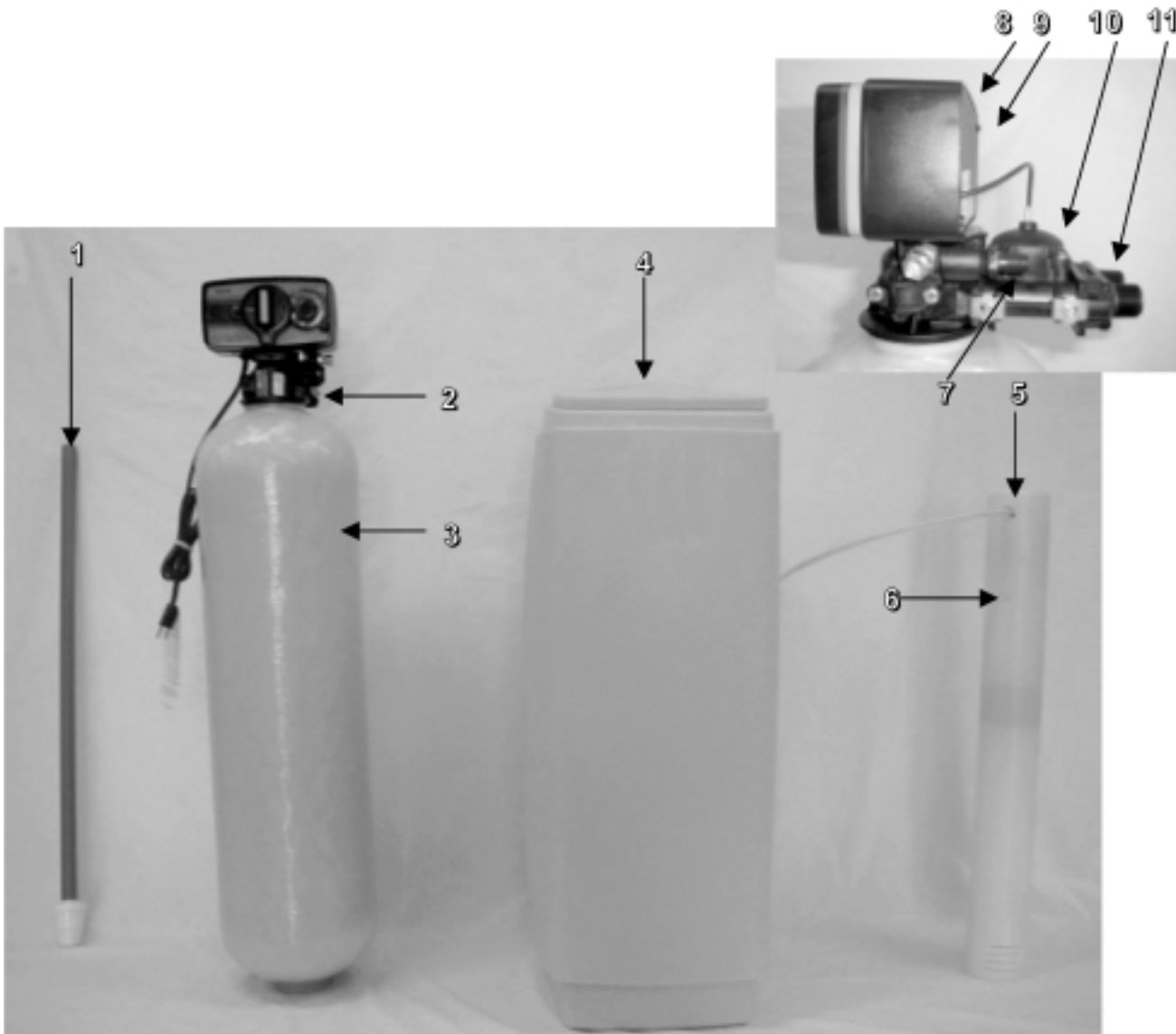
Item No.	Qty Req'd	Part No.	Description	Item No.	Qty Req'd	Part No.	Description
1	1	26001-02	drive housing, black	17	1	19674	transformer, 24V 9.6VA (US 120V)
2	2	12473	screw, drive mount	18	1	13547	strain relief
3	1	19474	wire harness, power	19	1	19079	washer, friction
4	1	13299	spring washer	20	1	17438	cycle cam (downflow brining, black, single backwash)
5	1	13017	idler gear	21	1	10302	insulator
6	2	19080	spring, detent	22	2	17876	screw, microswitch
7	2	13300	ball, detent	23	1	42635-01	front cover
8	1	25005-10	main drive gear and shaft (downflow brining, black)	24	2	13898	screw, front panel
9	1	23045	drive gear	25	2	10218	microswitch
10	1	13175	motor mounting plate	26	1	15151	screw, cycle cam
11	1	16944	drive motor, 2RPM 24V 50/60 Hz	28	1	040214	screw
12	3	11384	screw, motor	29	1	42637	label, display, 5600SXT
13	1	13229	back plate	30	1	19472-02	housing, circuit board
14	4	13296	screw, component	-	1	42196	circuit board, SXT
15	1	12037	washer	NS	4	12681	wire nut, beige
16	1	18722	cam, brine valve				

# Econoflo SXT Cabinet/Twin Tank - 5600SXT Control Valve



Item No.	Qty Req'd	Part No.	Description	Item No.	Qty Req'd	Part No.	Description
1	1	10329	3/8" Brass Nut	k	1	13167	Brine Valve Spacer
2	1	10330	Delrin Sleeve	l	1	13172	Brine Valve Stem
3	1	10332	Brass Insert	m	1	12626	Brine Valve Seat
4	1	19402	Control .25 Refill	21	1	13302	O-Ring
a	1	13244	BLFC Adapter	22	1	13976	Seal & Spacer Assembly
b	1	12094	0.25 GPM Flow Washer	n	5	13242	Main Seals
c	1	13245	BLFC Button Retainer	o	4	14241	Spacers
d	1	12977	O-Ring	23	1	13333	Injector Label
5	1	13166	Injector Cover	24	1	19700-10	Valve Body
6	2	13315	Screws	25	1	12281	O-Ring
7	1	13303	O-Ring	26	1	13304	O-Ring
8	1	10227	Injector Screen	27	1	13030	Distributor Tube
9	1	10913-1	White Injector Nozzle	28	1	18280	Cone
10	1	10914-1	White Injector Throat	29	1	13296	Screw
11	1	13308	Black Hose Barb	30	1	13363	Plain Washer
12	1	13173	DLFC Button Retainer	31	1	13975	Piston Assembly
13	1	15348	O-Ring	p	1	13003	Piston Rod Link
14	1	12086	1.50 GPM Flow Washer	q	1	13306	Roll Pin
	1	12087	2.00 GPM Flow Washer	r	1	13002	Piston Rod
15	1	13163	Injector Body	s	1	13446	End Plug Assembly
16	1	12128	BLFC Label, 0.25 GPM	v	1	12953	Piston Rod Retainer
17	1	12638	O-Ring	w	1	10696	Piston Pin
18	2	13301	O-Ring	x	1	13247	Piston
19	1	13497	Air Disperser	32	2	12473	Screws
20	1	13977	Brine Valve Assembly	33	3	12112	Screws
e	1	11981-01	Retaining Ring	34	1	13546	End Plug Retainer
f	1	16098	Brine Washer, Nylon	35	4	13314	Screws
g	1	11973	BV Spring	36	4	13255	Mounting Clip
h	1	13165	Brine Valve Cap	37	1	60086	Meter
i	1	13302	O-Ring	38	1	14613	Flow Straightener
j	1	12550	Quad Ring	39	1	18706-02	3/4" Plastic Yoke

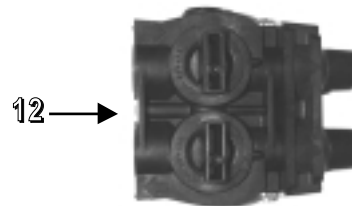
# Econoflo MI Cabinet Water Softener



Part No.	Model Description	Valve (2)	Tank (3)	Resin #21501
2095	EFC20MI	5600-02	19354	0.75 CF
2096	EFC30MI	5600-03	110354	1.00 CF

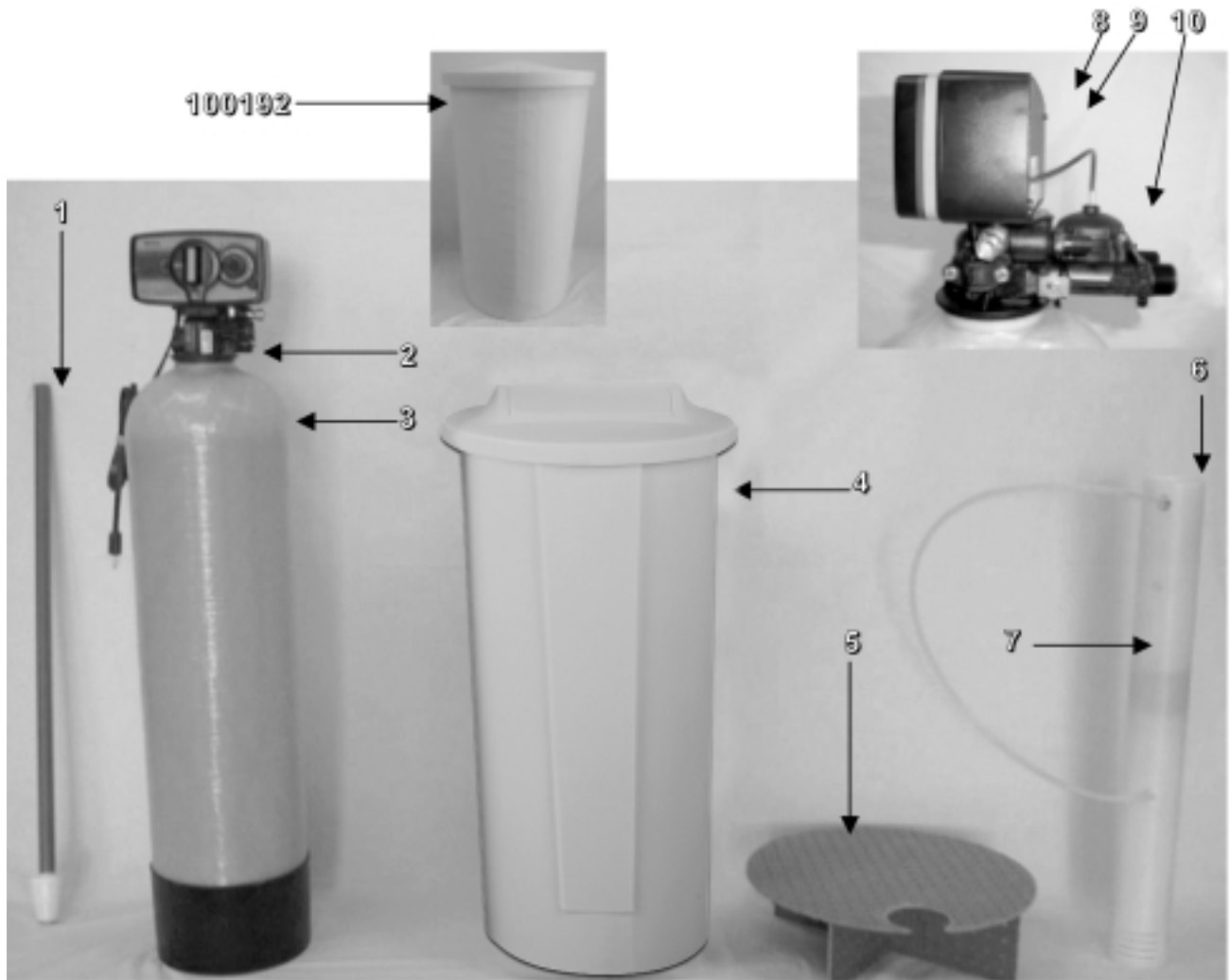
## Common Components

Item No.	Part No.	Description
1	19495	Distributor
4	100203	Cabinet
5	48004	Brine Well Cap
6	13624	Safety Float
7	13308	Hose Barb
8	13229	Back Cover
9	13296	Screws
10	60086	Meter
11	18706-02	Yoke
12	60049	Bypass



**See 5600 Meter Initiated Valve parts breakdown on pages 280-281.**

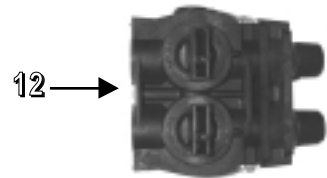
# Econoflo MI Twin Tank Water Softener



<u>Part No.</u>	<u>Model Description</u>	<u>Distributor (1)</u>	<u>Valve (2)</u>	<u>Tank (3)</u>	<u>Brine Tank (4)</u>	<u>Grid (5)</u>	<u>Safety Float (7)</u>	<u>Resin #21501</u>
2090	EFT20MI	19495	5600-02	19354	100283	NA	13624	0.75 CF
2091	EFT30MI	19495	5600-02	110354	100283	NA	13624	1.00 CF
2092	EFT40MI	19478	5600-01	110474	100283	NA	13624	1.25 CF
2093	EFT60MI	19477	5600-04	112524	100192	19710	13624	2.00 CF
2094	EFT90MI	60098	5600-05	114651	100192	95009-21	13624	3.00 CF

## Common Components

<u>Item No.</u>	<u>Part No.</u>	<u>Description</u>
6	48004	Brine Well Cap
8	13229	Back Cover
9	13296	Screws
10	60086	Meter
12	60049	Bypass

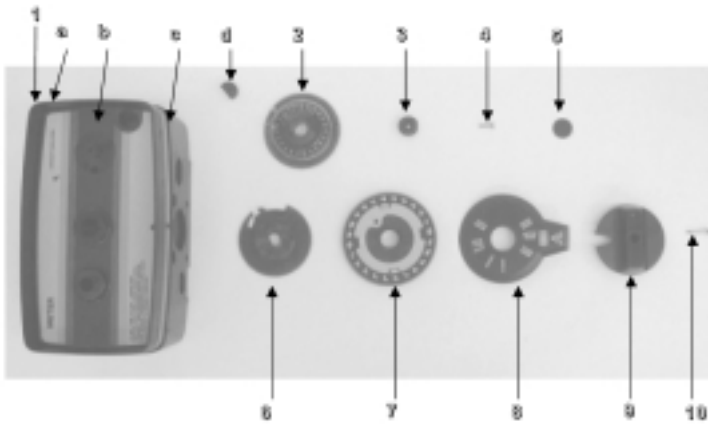


**See 5600 Meter Initiated Valve parts breakdown on pages 280-281.**

Unit 2094 includes a CPVC tank adapter - Part No. 81041  
Distributor 60098 includes hub and laterals

# Econoflo MI Cabinet/Twin Tank - 5600 Power Head

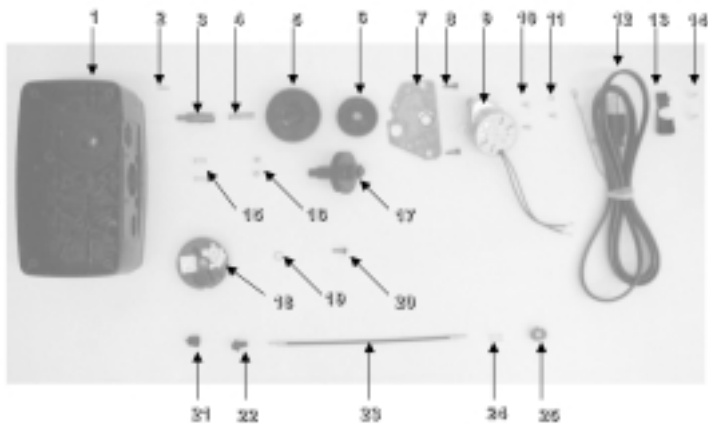
## FRONT



### 5600 Power Head Front

Item No.	Qty Req'd	Part No.	Description
<b>1</b>	<b>1</b>	<b>19499</b>	<b>Timer Housing Labels</b>
a	1	13162-000	Drive Housing/Receptacle
b	1	13955	Beige Front Label
c	1	13957	Beige Stripe Tape
d	1	14252	Outboard Bearing Cap
<b>2</b>	<b>1</b>	<b>14039</b>	<b>Program Wheel Assembly</b>
	1	13803	Program Drive Wheel Gear
	1	13885	Program Wheel Cover
	1	15956	Program Wheel Adj Disc
	1	13954	No. of People Label
	2	13898	Screws
3	1	13806	Program Wheel Retainer
4	1	13748	Screw
5	1	13953	Program Wheel Cover Label
6	1	13802	Cycle Actuator Gear
<b>7</b>	<b>1</b>	<b>13973</b>	<b>24 Hour Gear Assembly</b>
	1	13009	24 Hour Gear
8	1	14176	Valve Position Dial
9	1	14177	Control Knob
10	1	15151	Screw
11	1	14175	Beige Control Knob Label

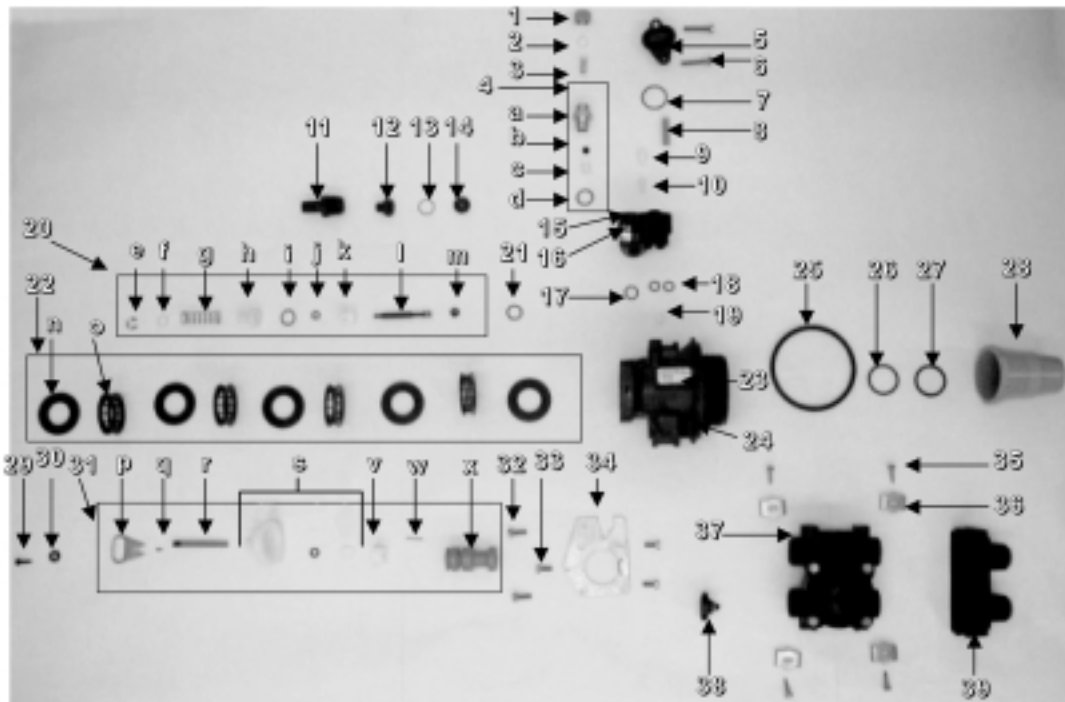
## BACK



### 5600 Power Head Back

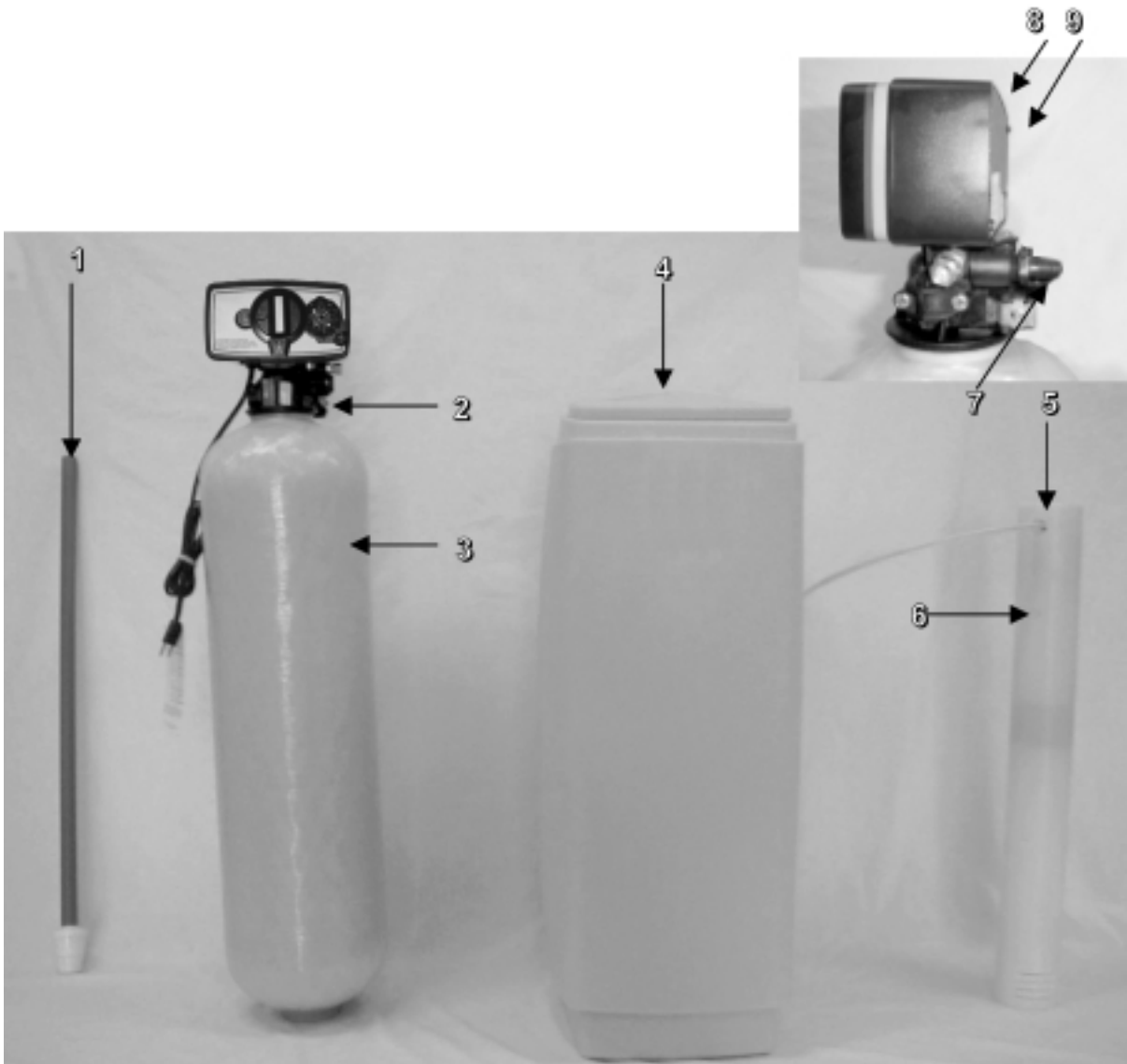
Item No.	Qty Req'd	Part No.	Description	Item No.	Qty Req'd	Part No.	Description
1	1	13162-000	Drive Housing/Receptacle	<b>18</b>	<b>1</b>	<b>13980</b>	<b>5600 Cam Assembly</b>
2	1	18655	Roll pin		1	13168	Brine Valve Cam
3	1	13018	Idler Pinion		1	11081	Hex Nut
4	1	13312	Idler Shaft Pin		1	13307	Salt Label
5	1	13017	Idler Gear		1	13710	Warning Label
6	1	13164	Drive Gear		1	13169	Cam Segment
7	1	13175	Motor Mounting Plate		1	11980	Screw
8	2	13296	Mounting Screws	19	1	12037	Plain Washer
9	1	18743-1	Drive Motor, 120V	20	1	13296	Screw
10	3	11384	Screws	21	1	13830	Program Wheel Drive Pinion
11	1	29702	Lock Washer	<b>22-25</b>	<b>1</b>		<b>5600 Meter Cable Assembly</b>
12	1	11842	Power Cord	22	1	13831	Drive Pinion Clutch
13	1	13547	Strain Relief	23	1	14043	Meter Cable
14	2	11673	Connectors	24	1	14276	Meter Clutch Spring
15	2	14457	Springs	25	1	14253	Clutch Spring Retainer
16	2	13300	1/4" Ball	NS	1	13229	Back Cover
17	1	13170	Main Gear & Shaft	NS	2	13296	Screws

# Econoflo MI Cabinet/Twin Tank - 5600 Control Valve



Item No.	Qty Req'd	Part No.	Description	Item No.	Qty Req'd	Part No.	Description
1	1	10329	3/8" Brass Nut	k	1	13167	Brine Valve Spacer
2	1	10330	Delrin Sleeve	l	1	13172	Brine Valve Stem
3	1	10332	Brass Insert	m	1	12626	Brine Valve Seat
<b>4</b>	<b>1</b>	<b>19402</b>	<b>Control .25 Refill</b>	21	1	13302	O-Ring
a	1	13244	BLFC Adapter	<b>22</b>	<b>1</b>	<b>13976</b>	<b>Seal &amp; Spacer Assembly</b>
b	1	12094	0.25 GPM Flow Washer	<b>n</b>	<b>5</b>	<b>13242</b>	<b>Main Seals</b>
c	1	13245	BLFC Button Retainer	o	4	14241	Spacers
d	1	12977	O-Ring	23	1	13333	Injector Label
5	1	13166	Injector Cover	24	1	19700-10	Valve Body
6	2	13315	Screws	25	1	12281	O-Ring
7	1	13303	O-Ring	26	1	13304	O-Ring
8	1	10227	Injector Screen	27	1	13030	Distributor Tube
9	1	10913-1	White Injector Nozzle	28	1	18280	Cone
10	1	10914-1	White Injector Throat	29	1	13296	Screw
11	1	13308	Black Hose Barb	30	1	13363	Plain Washer
12	1	13173	DLFC Button Retainer	<b>31</b>	<b>1</b>	<b>13975</b>	<b>Piston Assembly</b>
13	1	15348	O-Ring	p	1	13003	Piston Rod Link
14	1	12086	1.50 GPM Flow Washer	q	1	13306	Roll Pin
	1	12087	2.00 GPM Flow Washer	r	1	13002	Piston Rod
15	1	13163	Injector Body	s	1	13446	End Plug Assembly
16	1	12128	BLFC Label, 0.25 GPM	v	1	12953	Piston Rod Retainer
17	1	12638	O-Ring	w	1	10696	Piston Pin
18	2	13301	O-Ring	x	1	13247	Piston
19	1	13497	Air Disperser	32	2	12473	Screws
<b>20</b>	<b>1</b>	<b>13977</b>	<b>Brine Valve Assembly</b>	33	3	12112	Screws
e	1	11981-01	Retaining Ring	34	1	13546	End Plug Retainer
f	1	16098	Brine Washer, Nylon	35	4	13314	Screws
g	1	11973	BV Spring	36	4	13255	Mounting Clip
h	1	13165	Brine Valve Cap	37	1	60086	Meter
i	1	13302	O-Ring	38	1	14613	Flow Straightener
j	1	12550	Quad Ring	39	1	18706-02	3/4" Plastic Yoke

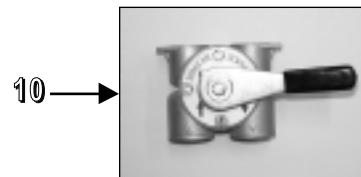
# Econoflo CC Cabinet Water Softener (Available in US only)



Part No.	Model Description	Valve (2)	Tank (3)	Resin #21501
5369	EFC20CC	Call	19354	0.75 CF
5370	EFC30CC	Call	110354	1.00 CF

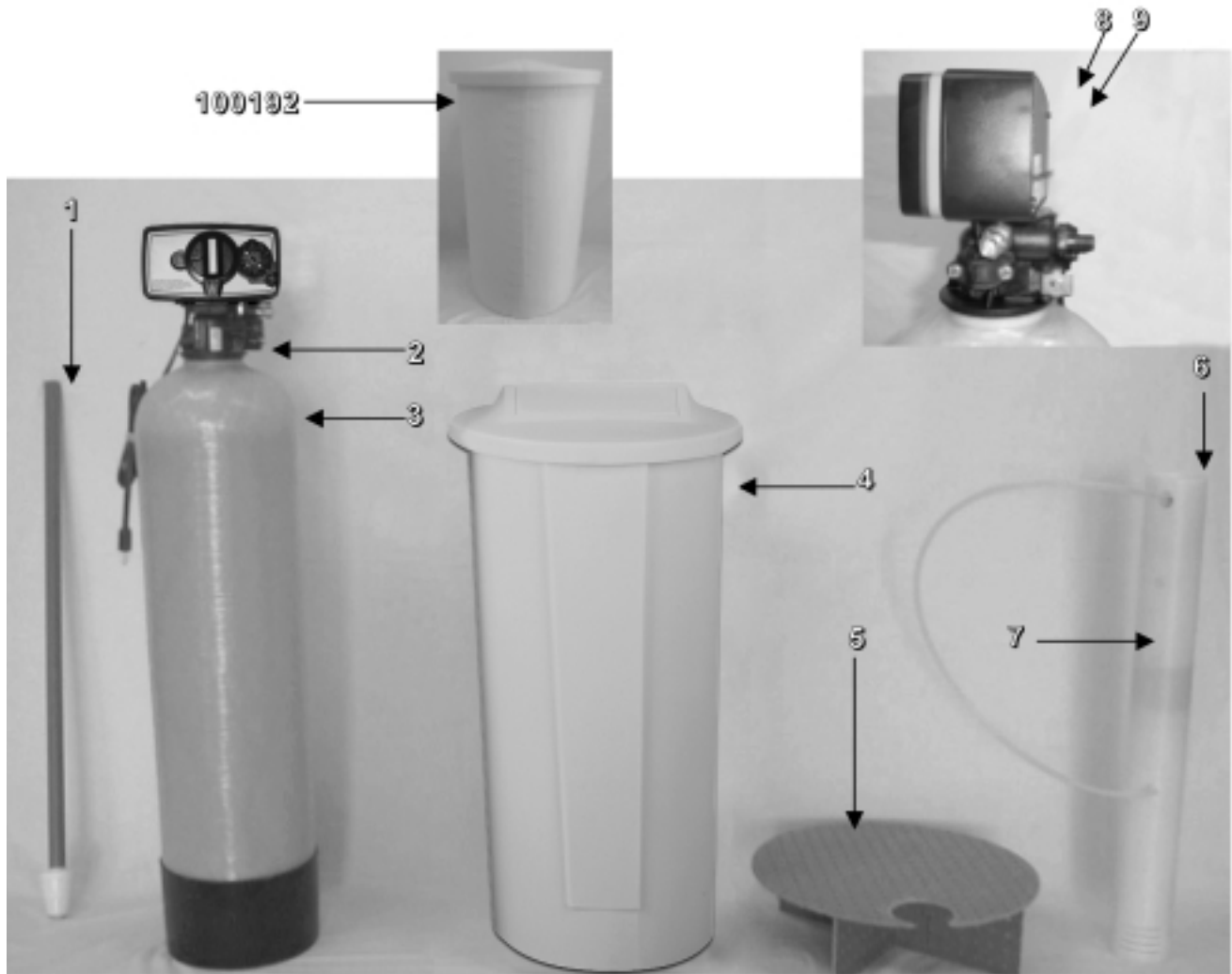
## Common Components

Item No.	Part No.	Description
1	19495	Distributor
4	100203	Cabinet
5	48004	Brine Well Cap
6	13624	Safety Float
7	13308	Hose Barb
8	13229	Back Cover
9	13296	Screw
10	60040SS	Bypass



**See 5600 Calendar Clock Valve parts breakdown on pages 284-285.**

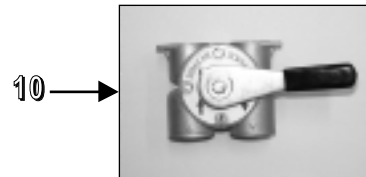
# (Available in US only) Econoflo CC Twin Tank Water Softener



<u>Part No.</u>	<u>Model Description</u>	<u>Distributor (1)</u>	<u>Valve (2)</u>	<u>Tank (3)</u>	<u>Brine Tank (4)</u>	<u>Grid (5)</u>	<u>Safety Float (7)</u>	<u>Resin #21501</u>
5351	EFT20CC	19495	Call	19354	100283	NA	13623	0.75 CF
5352	EFT30CC	19495	Call	110354	100283	NA	13623	1.00 CF
5354	EFT40CC	19478	Call	110474	100283	NA	13623	1.25 CF
5355	EFT60CC	19477	Call	112524	100192	19710	13623	2.00 CF
5356	EFT90CC	60098	Call	114651	100192	95009-21	13626	3.00 CF

### Common Components

<u>Item No.</u>	<u>Part No.</u>	<u>Description</u>
6	48004	Brine Well Cap
8	13229	Back Cover
9	13296	Screw
10	60040SS	Bypass

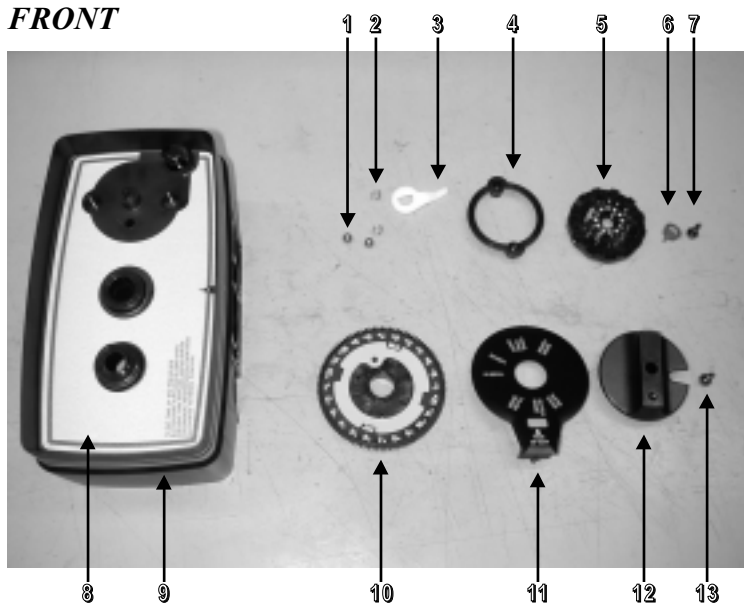


**See 5600 Calendar Clock Valve parts breakdown on pages 284-285.**



# Econoflo CC Cabinet/Twin Tank - 5600 Power Head

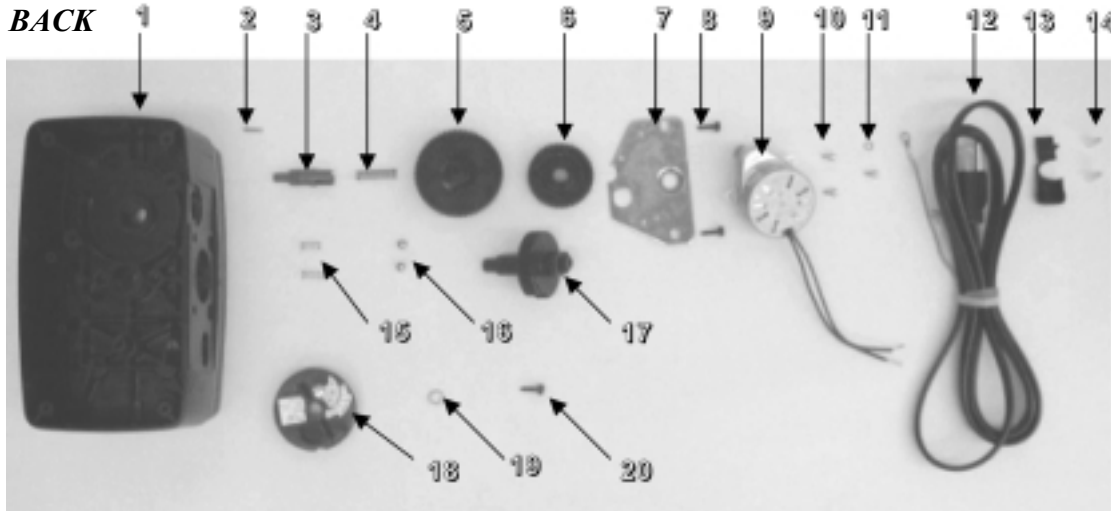
## FRONT



### 5600 Power Head Front

Item No.	Qty	Part No.	Description
1	2	13300	1/4" Ball
2	2	13311	Skipper Wheel Spring
3	1	13011	Cycle Arm
4	1	13864	Skipper Wheel Ring
5	1	14381	Skipper Wheel
6	1	13014	Red Pointer
7	1	13296	Mounting Screw
8	1	13309	Face Label, Brown
9	1	14448-000	Drive Housing, 5600 CC
10	1	13973	24 Hour Gear Assembly
	1	13009	24 Hour Gear
	1	13956	Label
11	1	14176	Dial
12	1	14177	5600 Black Knob
13	1	15151	Screw
14	1	14175	Beige Label (not shown)

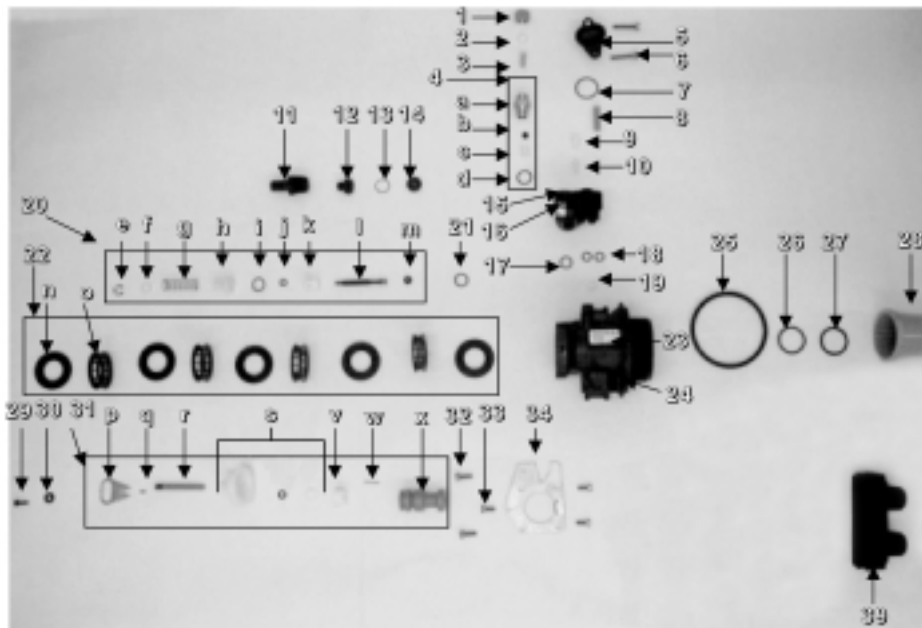
## BACK



### 5600 Power Head Back

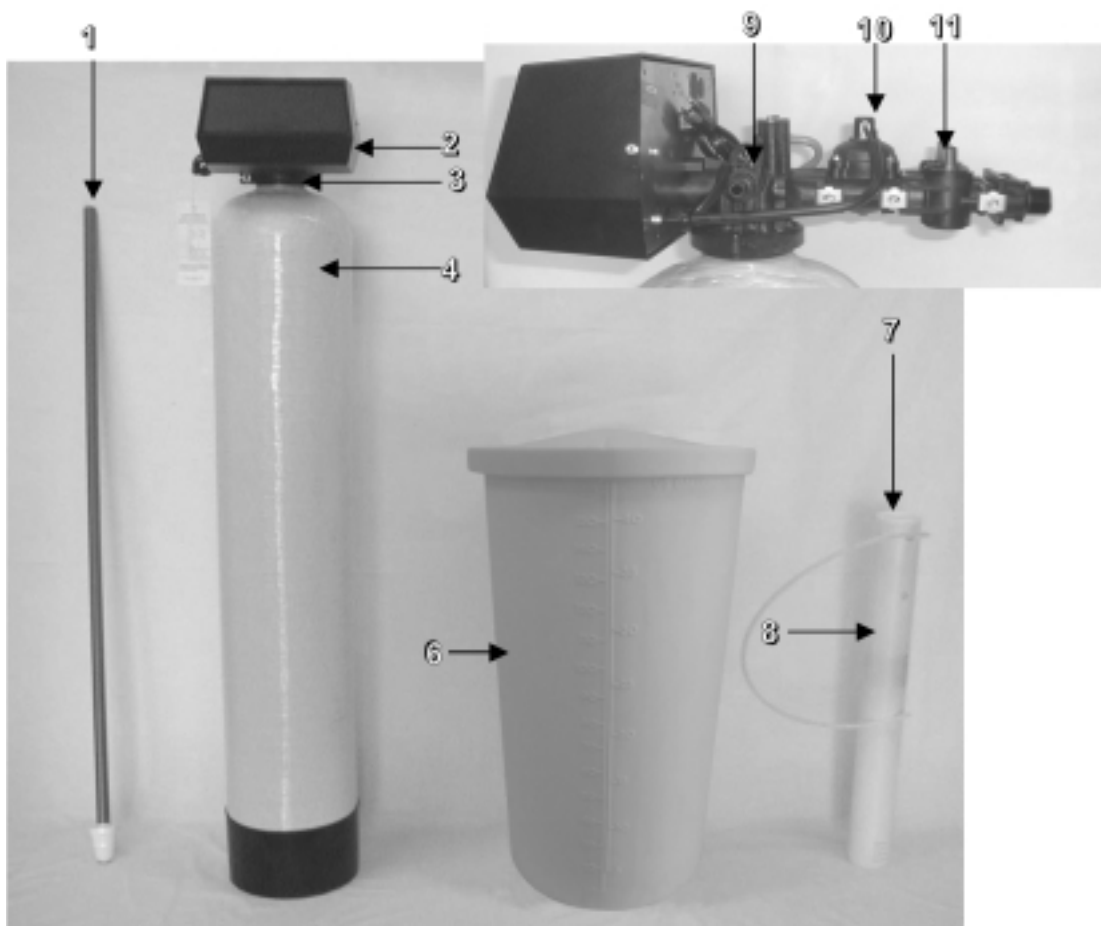
Item No.	Qty	Part No.	Description	Item No.	Qty	Part No.	Description
1	1	13162-000	Drive Housing/Receptacle	15	2	14457	Springs
2	1	18655	Roll pin	16	2	13300	1/4" Ball
3	1	13018	Idler Pinion	17	1	13170	Main Gear & Shaft
4	1	13312	Idler Shaft Pin	18	1	13980	5600 Cam Assembly
5	1	13017	Idler Gear		1	13168	Brine Valve Cam
6	1	13164	Drive Gear		1	11081	Hex Nut
7	1	13175	Motor Mounting Plate		1	13307	Salt Label
8	2	13296	Mounting Screws		1	13710	Warning Label
9	1	18743-1	Drive Motor, 120V		1	13169	Cam Segment
10	3	11384	Screws		1	11980	Screw
11	1	29702	Lock Washer	19	1	12037	Plain Washer
12	1	11842	Power Cord	20	1	13296	Screw
13	1	13547	Strain Relief	NS	1	13229	Back Cover
14	2	11673	Connectors	NS	2	13296	Screws

# Econoflo CC Cabinet/Twin Tank - 5600 Control Valve



Item No.	Qty Req'd	Part No.	Description	Item No.	Qty Req'd	Part No.	Description
1	1	10329	3/8" Brass Nut	e	1	11981-01	Retaining Ring
2	1	10330	Delrin Sleeve	f	1	16098	Brine Washer, Nylon
3	1	10332	Brass Insert	g	1	11973	BV Spring
<b>4</b>	<b>1</b>	<b>19402</b>	<b>Control .25 Refill</b>	h	1	13165	Brine Valve Cap
	<b>1</b>	<b>19403</b>	<b>Control .50 Refill</b>	i	1	13302	O-Ring
a	1	13244	BLFC Adapter	j	1	12550	Quad Ring
b	1	12094	0.25 GPM Flow Washer	k	1	13167	Brine Valve Spacer
	1	12095	0.50 GPM Flow Washer	l	1	13172	Brine Valve Stem
c	1	13245	BLFC Button Retainer	m	1	12626	Brine Valve Seat
d	1	12977	O-Ring	21	1	13302	O-Ring
5	1	13166	Injector Cover	<b>22</b>	<b>1</b>	<b>13976</b>	<b>Seal &amp; Spacer Assembly</b>
6	2	13315	Screws	n	5	13242	Main Seals
7	1	13303	O-Ring	o	4	14241	Spacers
8	1	10227	Injector Screen	23	1	13333	Injector Label
9	1	10913-1	White Injector Nozzle	24	1	19700-10	Valve Body
	1	10913-3	Yellow Injector Nozzle	25	1	12281	O-Ring
10	1	10914-1	White Injector Throat	26	1	13304	O-Ring
	1	10914-3	Yellow Injector Throat	27	1	13030	Distributor Tube
11	1	13308	Black Hose Barb	28	1	18280	Cone
12	1	13173	DLFC Button Retainer	29	1	13296	Screw
13	1	15348	O-Ring	30	1	13363	Plain Washer
14	1	12086	1.50 GPM Flow Washer	<b>31</b>	<b>1</b>	<b>13975</b>	<b>Piston Assembly</b>
	1	12087	2.00 GPM Flow Washer	p	1	13003	Piston Rod Link
	1	12089	3.00 GPM Flow Washer	q	1	13306	Roll Pin
	1	12091	4.00 GPM Flow Washer	r	1	13002	Piston Rod
15	1	13163	Injector Body	s	1	13446	End Plug Assembly
16	1	12128	BLFC Label, 0.25 GPM	v	1	12953	Piston Rod Retainer
	1	10759	0.5 GPM Label	w	1	10696	Piston Pin
17	1	12638	O-Ring	x	1	13247	Piston
18	2	13301	O-Ring	32	2	12473	Screws
19	1	13497	Air Disperser	33	3	12112	Screws
<b>20</b>	<b>1</b>	<b>13977</b>	<b>Brine Valve Assembly</b>	34	1	13546	End Plug Retainer
				39	1	18706-02	3/4" Plastic Yoke

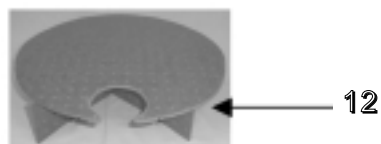
# Iron Guard and Iron Guard Plus Filter



Part No. <u>CDN</u>	Part No. <u>USA</u>	Model <u>Description</u>	Distributor <u>(1)</u>	Valve <u>(3)</u>	Tank <u>(4)</u>	Lid <u>(5)</u>	Brine Tank <u>(6)</u>	Grid <u>(12)</u>	Media <u>Bed</u>
2060	2060-4	FE30MI	19807	2510-92	110474	NA	100192	19709	95405
2059	2059-4	FE45MI	19806	2510-100	112524	NA	100192	95009-21	95407
2058	2058-4	FE60MI	19806	2510-99	114506	NA	100192	19706	Call
2061	2061-4	STFE30MI	19806	2510-92	110544	NA	100192	19709	Call

## Common Components

<u>Item No.</u>	<u>Part No.</u>	<u>Description</u>
2	19291 - 020	Cover
7	48004	Brine Well Cap
8	13624	Safety Float
9	13308	Hose, Barb
10	60088 - 180	Meter, 180 Degree
11	60049	Bypass

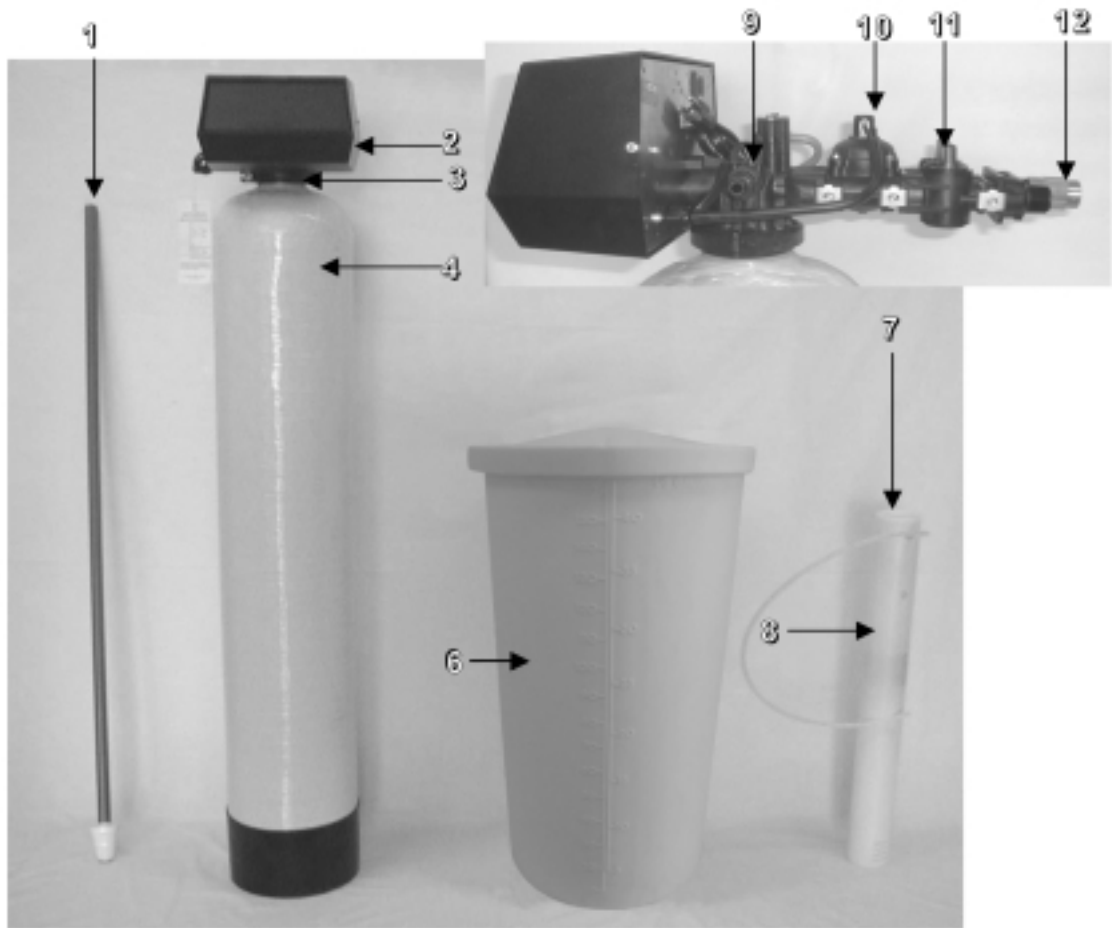


Units 2058 include a CPVC tank adapter – Part No. 81041

*Note: All USA units come standard with #60040SS - Stainless Steel Bypass.*

**See 2510 Meter Initiated Valve  
parts breakdown on  
pages 298-301.**

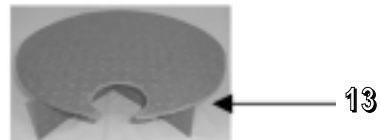
# Combination Softener and Tannin Filter



Item No.	Model Description	Distributor (1)	Valve (3)	Tank (4)	Lid (5)	Brine Tank (6)	Grid (13)	Housing (12)	Flow Washer (NS)	Resin (See below)	Gravel (22001)
2048	STF20-860	19477	2510-90	112521	NA	100192	95009-21	15177	12090	2.0 CF	0.12 CF
2049	STF30-860	60098	2510-91	114651	NA	100192	19706	15177	12092	3.0 CF	0.15 CF

## Common Components

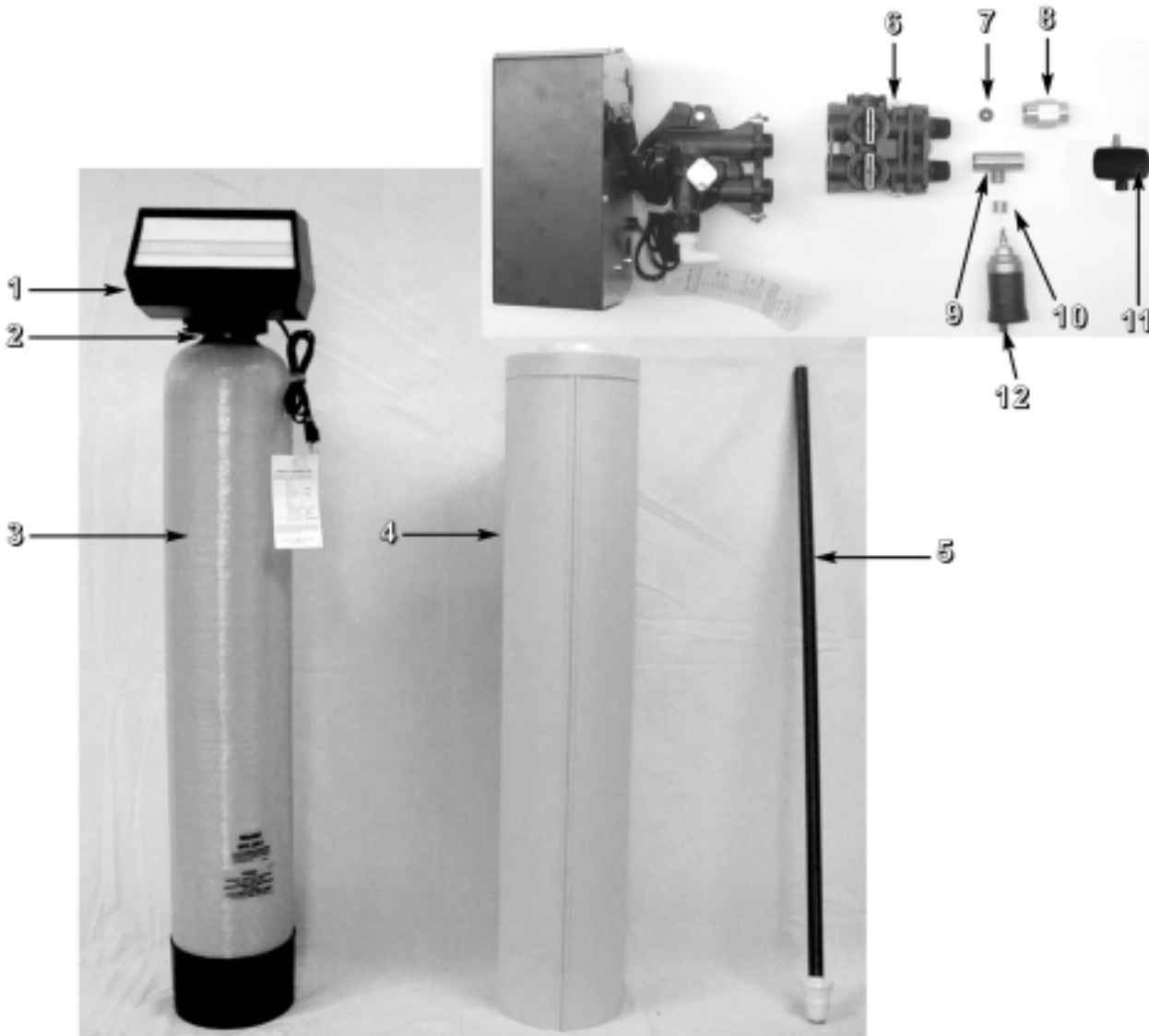
Item No.	Part No.	Description
2	19291 - 020	Cover
7	48004	Brine Well Cap
8	13624	Safety Float
9	13308	Hose, Barb
10	60088 - 180	Meter, 180 Degree
11	60049	Bypass



Units 2048 & 2049 use Resin #21491 and 21501  
 Units 2049 include a CPVC tank adapter – Part No. 81041

**See 2510 Meter Initiated Valve parts breakdown on pages 298-301.**

# Novaclean IF Chemical Free Iron Filter



Part No.	Model Description	Valve (2)	Tank (3)	Jacket (4)	Distributor (5)	Flow Washer (7)	Housing (8)	Tee (9)	Media Bed
3930	NCF75	2510-01	18474	100502	19478	12091	15177	0550356	95431
3931	NCF10	2510-02	194804	100505	19478	NA	NA	0550356	95550
3932	NCF15	2510-03	110544	100508	19477	NA	NA	0550356	95551
3933	NCF20	2510-04	112524	NA	19477	NA	NA	0550366	95427
3940	NCF75M	2510-01	18474	100502	19478	12091	15177	0550356	95432
3941	NCF10M	2510-02	194804	100505	19478	NA	NA	0550356	95553
3942	NCF15M	2510-03	110544	100508	19477	NA	NA	0550356	95554
3943	NCF20M	2510-04	112524	NA	19477	NA	NA	0550366	95428

## Common Components

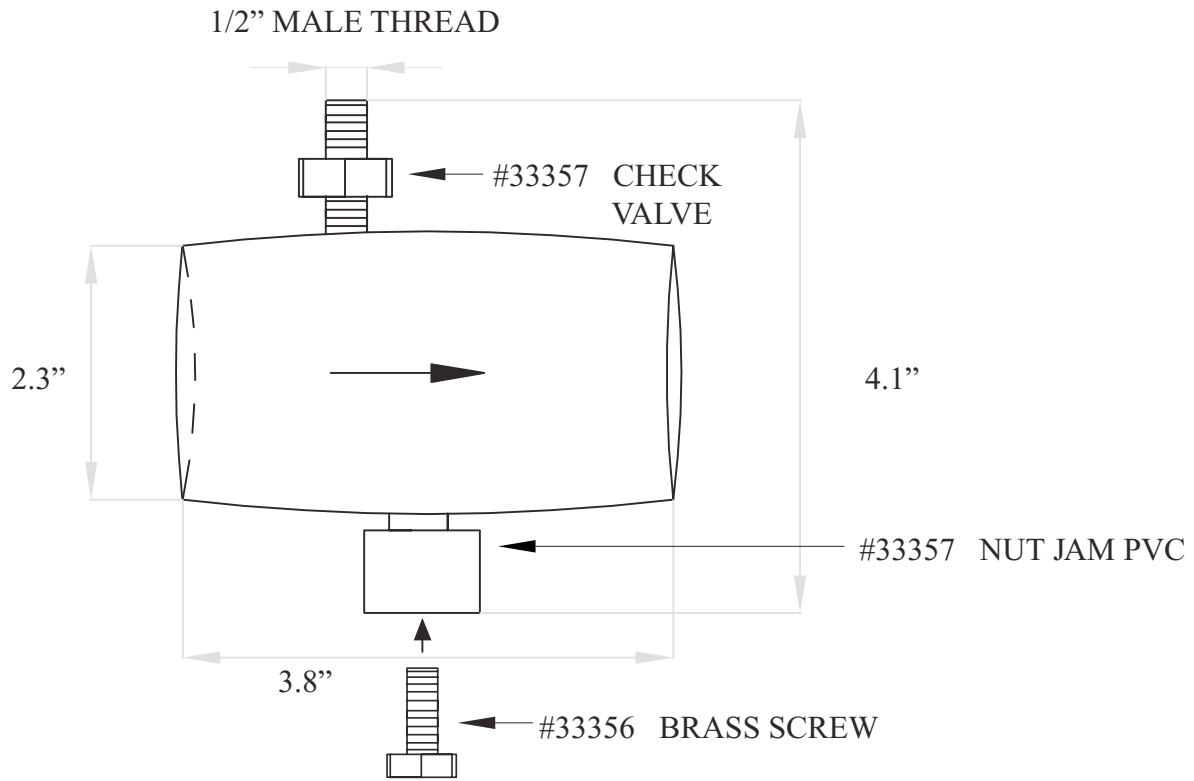
Item No.	Part No.	Description
1	19291-020	Cover
6	60049	Bypass
10	0550119	Bushing
11	33354	PVC Hydrocharger
12	50701	Air Vent

Note: All USA units come standard with #60040SS - Stainless Steel Bypass.

**See 2510 Calendar Clock Valve parts breakdown on pages 295-297.**

# Hydrocharger Assembly

## Item #33354



# Novaclean ISF Iron & Sulfur Filter



Part No.	Model <u>Description</u>	Clack <u>Feeder (2)</u>	Valve <u>(4)</u>	Tank <u>(5)</u>	Jacket <u>(7)</u>	Distributor <u>(8)</u>	Bypass <u>(11)</u>	Media <u>Bed</u>
3960	NMGF75MI	33030	2510-05	18474	100502	19478	60049	95411
3961	NMGF10MI	33017	2510-06	110474	100507	19478	60049	95412
3962	NMGF15MI	33031	2510-07	112524	NA	19477	60049	95413
3963	NMGF20MI	33017 (2)	2510-09	114501	NA	19478	60049	95414

## Common Components

Item No.	Part No.	Description
1	95020	Pro-Pot Perm (sold separate from unit)
3	19291-020	Cover
6	115208	Tubing
9	12338	Hose Barb
10	60088	Meter, 180 Degree

*Note: All USA units come standard with #60040SS - Stainless Steel Bypass.*

**See 2510 Meter Initiated Valve parts breakdown on pages 298-301.**

Unit 3963 includes a CPVC tank adapter - Part No. 81041

# Novaclean Automatic Water Filter



Part No.	Model Description	Cover (1)	Valve (2)	Tank (3)	Jacket (4)	Distributor (5)	Bypass NS	Media Bed
3990	NACF75	19291-020	2510-21	18474	100502	19478	60049	95401
3991	NACF10	19291-020	2510-22	110474	100507	19478	60049	95402
3992	NACF15	19291-020	2510-23	112524	NA	19477	60049	95403
3993	NACF20	19291-020	2510-24	114501	NA	19478	60049	95404
3980	NMMF75	19291-020	2510-17	18474	100502	19478	60049	95418
3981	NMMF10	19291-020	2510-18	194804	100505	19478	60049	95415
3982	NMMF15	19291-020	2510-19	110544	100508	19477	60049	95416
3983	NMMF20	19291-020	2510-20	112524	NA	19477	60049	95417
3970	NNF75	19291-020	2510-11	18474	100502	19478	60049	93500
3971	NNF10	19291-020	2510-13	194804	100505	19478	60049	93504
3972	NNF15	19291-020	2510-15	110544	100508	19477	60049	93505
3973	NNF20	19291-020	2510-16	112524	NA	19477	60049	93506

Unit 3993 includes a CPVC tank adapter - Part No. 81041

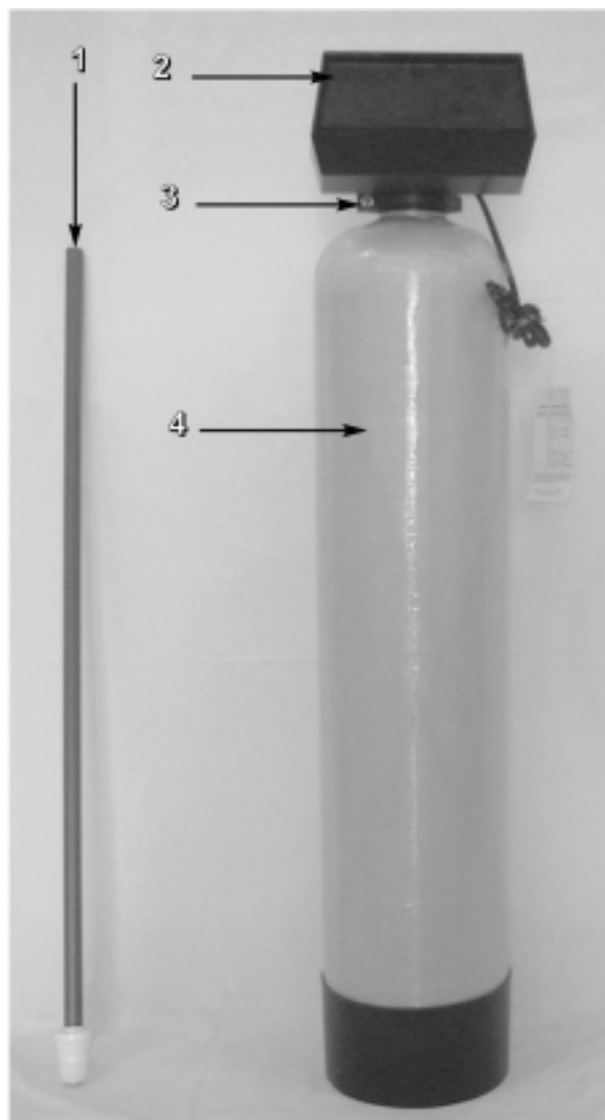
Units 3970, 3971, 3972 & 3973 include a Drain Line Housing - Part # 15177 and one of the following washers 12091, 12092, 12408, 16529.

Note: All USA units come standard with #60040SS - Stainless Steel Bypass.

**See 2510 Calendar Clock Valve parts breakdown on pages 295-297.**



# Automatic Mixed Bed Filter



Part No. CDN	Part No. USA	Model Description	Distributor (1)	Valve (3)	Tank (4)	Media
2005 or 2012	2005-4 or 2012-4	ACN-10C (Type I or II)	19478	2510-85	110474	
2010 or 2013	2010-4 or 2013-4	ACN-15C (Type I or II)	19477	2510-86	112524	Call for
2011 or 2014	2011-4 or 2014-4	ACN-20C (Type I or II)	19477	2510-87	114501	Types and
2015 or 2022	2015-4 or 2022-4	MMN-10C (Type I or II)	19478	2510-85	110474	Quantities
2020 or 2023	2020-4 or 2023-4	MMN-15C (Type I or II)	19477	2510-86	112524	
2021 or 2024	2021-4 or 2024-4	MMN-20C (Type I or II)	19477	2510-87	114501	

## Common Components

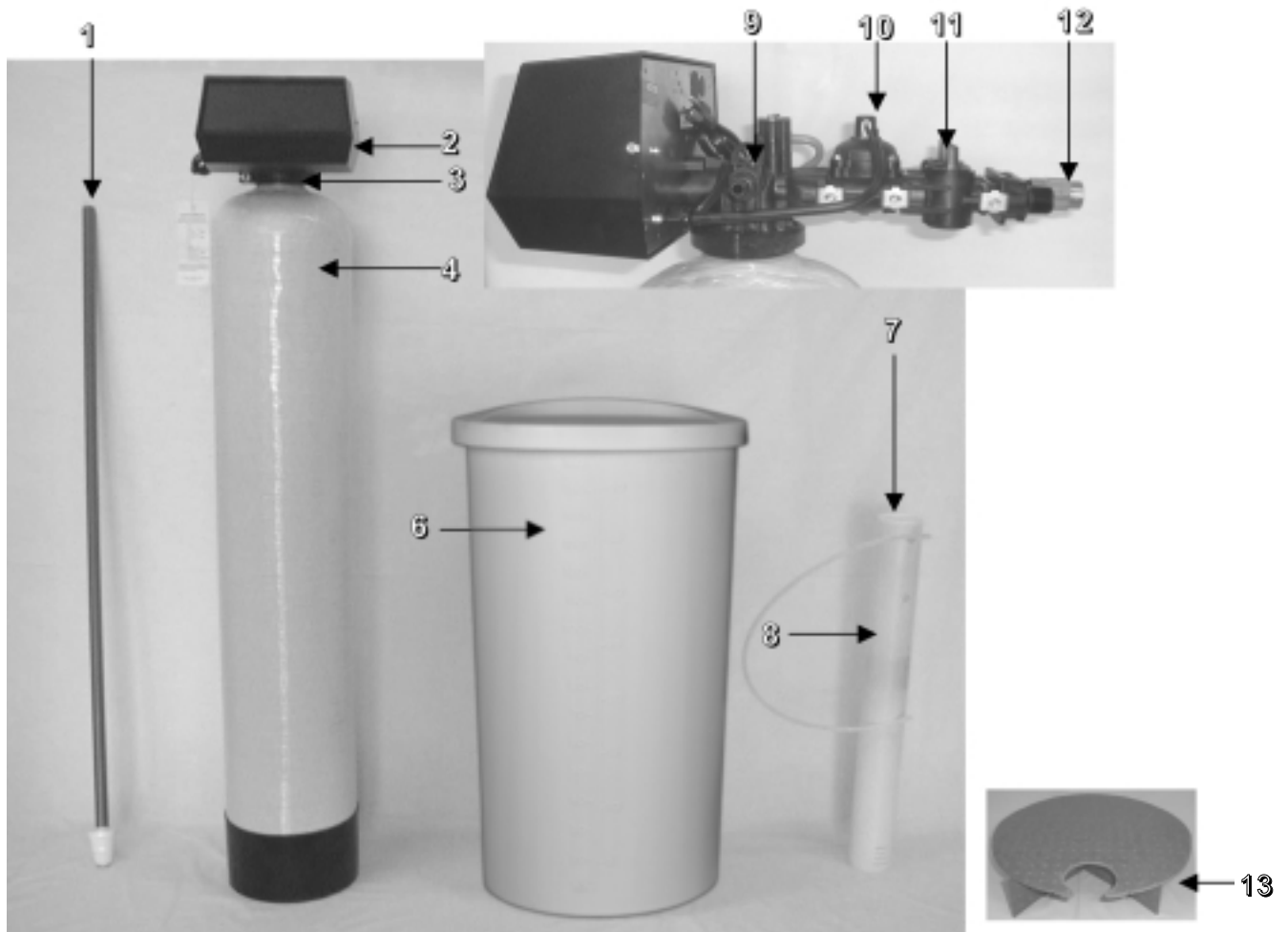
Item No.	Part No.	Description
2	19291-020	Cover

Units 2011 & 2021 include a CPVC tank adapter - Part No. 81041

Note: All USA units come standard with #60040SS - Stainless Steel Bypass.

**See 2510 Calendar Clock Valve parts breakdown on pages 295-297.**

# Organic Color Removal Filter



Part No. CDN	Part No. USA	Model Description	Distributor (1)	Valve (3)	Tank (4)	Lid (5)	Brine Tank (6)	Grid (13)	Housing (12)	Flow Washer	Gravel *Resin #22001
2030	2030-4	OCR15-850	19477	2510-88	110541	100255	100362	NA	15177	12091	1.25 CF 0.08 CF
2035	2035-4	OCR20-850	19477	2510-90	112521	NA	100192	95009-21	15177	12408	2.00 CF 0.12 CF
2040	2040-4	OCR30-850	60098	2510-91	114651	NA	100192	19706	019480	16529	3.00 CF 0.15 CF
2045	2045-4	OCR15-860	19477	2510-88	110541	100255	100362	NA	15177	12091	1.25 CF 0.08 CF
2050	2050-4	OCR20-860	19477	2510-90	112521	NA	100192	95009-21	15177	12408	2.00 CF 0.12 CF
2066	2066-4	OCR30-860	60098	2510-91	114651	NA	100192	19706	019480	16529	3.00 CF 0.15 CF

## Common Components

Item No.	Part No.	Description
2	19291-020	Cover
7	48004	Brine Well Cap
8	13623	Safety Float
	13526	Safety Float (Item #2040 & 2055)
9	13308	Hose Barb
10	60088-180	Meter, 180 Degree
11	60049	Bypass

\*2030, 2035 & 2040 use Resin #21494

\*2045, 2050 & 2055 use Resin #21491

*Note: All USA units come standard with #60040SS - Stainless Steel Bypass.*

**See 2510 Meter Initiated Valve parts breakdown on pages 298-301.**

Units 2040 & 2055 include a CPVC tank adapter - Part No. 81041

# Chloramines Removal Filter



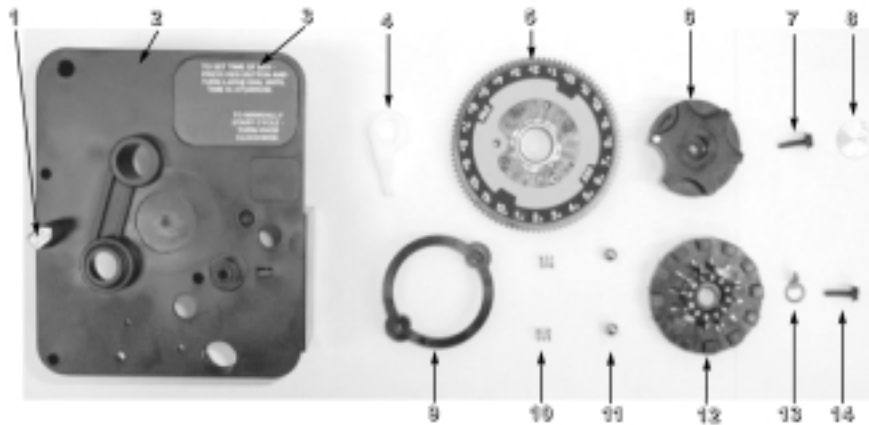
Part No.	Model Description	Distributor (1)	Cover (2)	Valve (3)	Tank (4)	Media
3995	CLF20	19477	19291-020	2510-87	114506	95629
3996	CLF40	60098	19291-020	2500-101	116656	95630

Units include a CPVC tank adapter - Part No. 81041

**See 2510 Calendar Clock Valve parts breakdown on pages 295-297.**

# 2510 Calendar Clock Valve - 3200 Timer Assembly

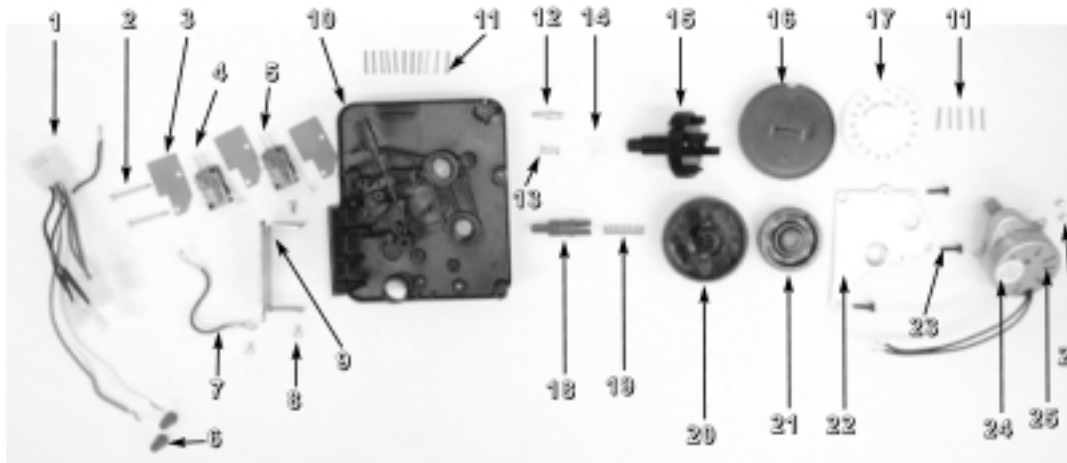
## FRONT



## 3200 CC Timer Assembly - FRONT

Item No.	Qty Req'd	Part No.	Description
1	1	14007	Time Of Day Label
2	1	13870	Timer Housing
3	1	14045	Instruction Timer Label
4	1	13011	Cycle Arm
5	1	13973	24 Hour Gear Assembly
	1	13009	24 Hour Gear
	1	13956	24 Hour Label
6	1	13886	Timer Knob
7	1	13296	Mounting Screw
8	1	11999	Button Timer Label
9	1	13864	Skipper Wheel Ring
10	2	13311	Skipper Wheel Spring
11	2	13300	1/4" Ball
12	1	14381	Skipper Wheel Assembly
13	1	13014	Red Regeneration Pointer
14	1	13296	Mounting Screw

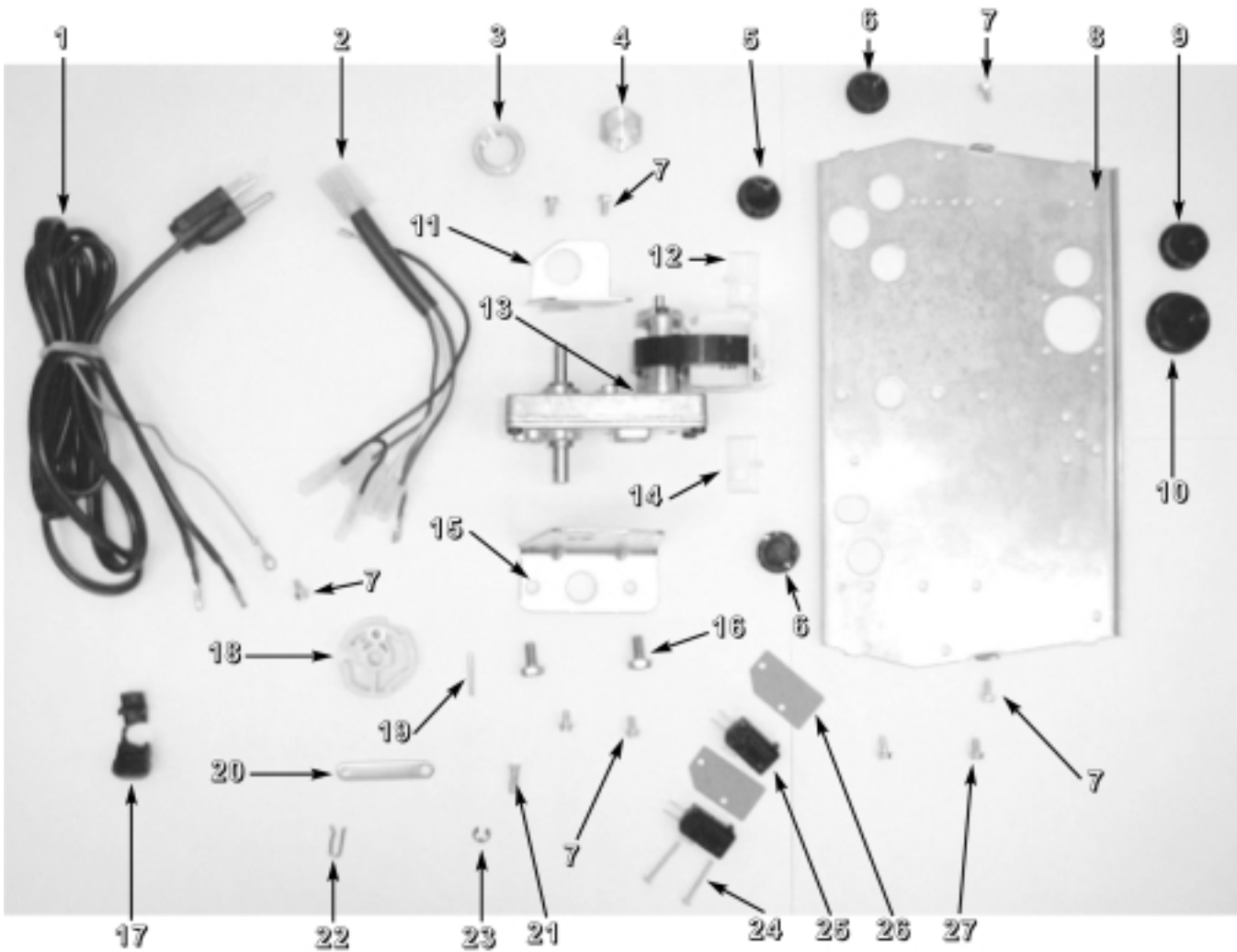
## BACK



## 3200 CC Timer Assembly - BACK

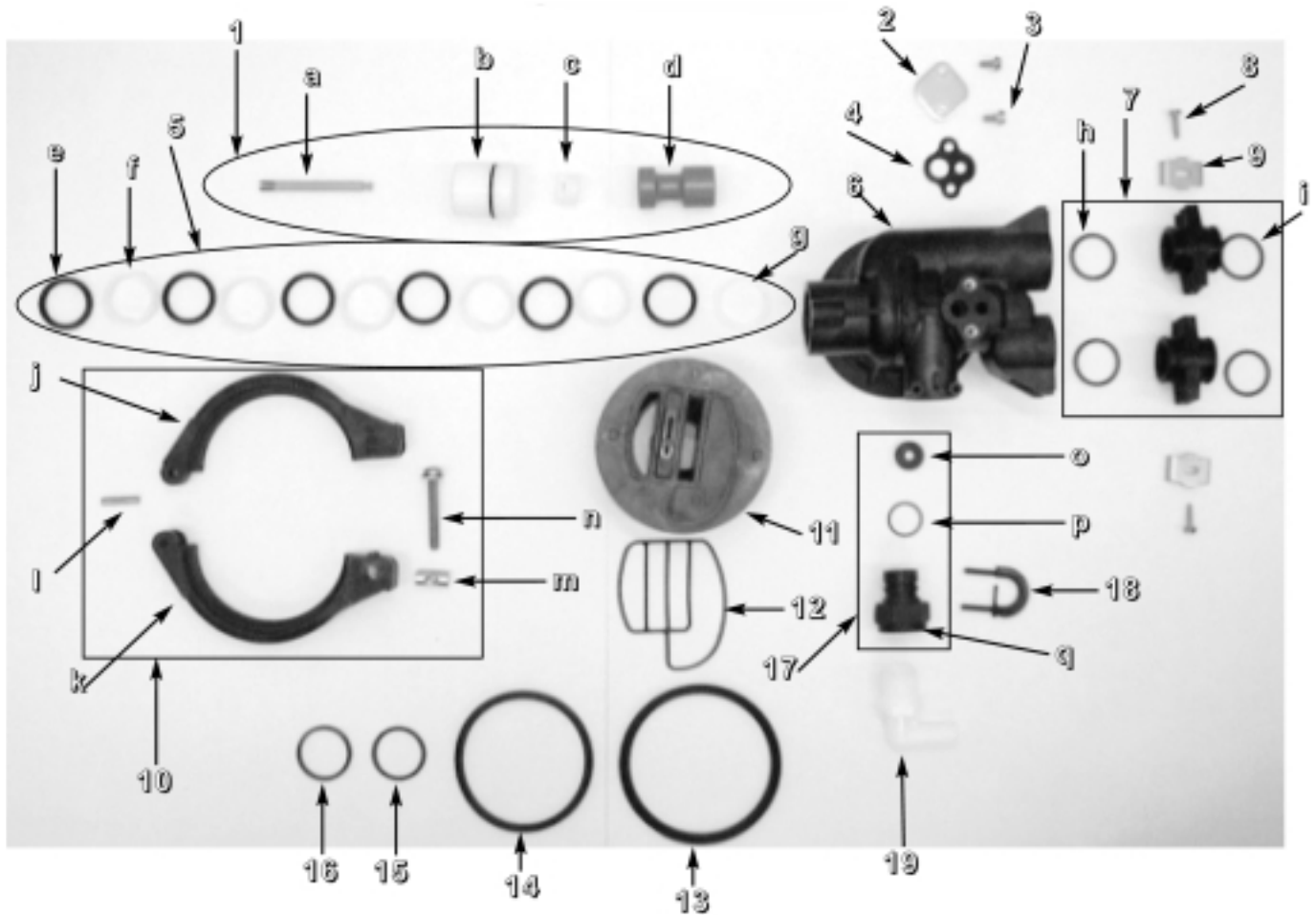
Item No.	Qty Req'd	Part No.	Description	Item No.	Qty Req'd	Part No.	Description
1	1	13902	Wire Harness	16	1	13880	Program Wheel
2	2	11413	Screw	17	1	13901	Program Wheel Label
3	3	14087	Insulator	18	1	13018	Idler Pinion
4	1	15320	Micro Switch (White Lever)	19	1	13312	Idler Shaft Spring
5	1	10896	Micro Switch (1/2 Moon Lever)	20	1	13017	Idler Gear
6	2	18612	Blue Wire Nut	21	1	13164	Drive Gear
7	1	15354-01	Green Ground Wire	22	1	13887	Motor Mounting Plate
8	3	11384	Screw	23	3	13296	Screws
9	1	13881	Hinge Bracket	24	1	14102	Motor Label
10	1	13870	Timer Housing	25	1	18743	Drive Motor, 120 V
11	16	15493	Spring Pin	26	2	13278	Screws
12	1	14265	Spring Clip				
13	1	14457	Spring				
14	1	15066	1/4" Delrin Ball				
15	1	13911	Main Drive Gear				

# 2510 Calendar Clock Power Head Assembly



Item No.	Qty Req'd	Part No.	Description	Item No.	Qty Req'd	Part No.	Description
1	1	11838	Power Cord	15	1	10774	Drive Side Bracket
2	1	11667	Wire Harness	16	2	10231	Screws
3	1	10269	Jam Nut	17	1	13547	Strain Relief
4	1	10712	Brine Valve Fitting	18	1	12102	Cam
5	1	16493	Plug	19	1	10338	Roll Pin
6	2	13741	Plug	20	1	10621	Link
7	7	10872	Screws	21	1	13366	Drive Bearing
8	1	40264	Back Plate	22	1	10909	Connecting Rod Pin
9	1	15806	Plug	23	1	10250	Retaining Ring
10	1	17421	Plug	24	2	14923	Screws
11	1	11826	Motor Bracket	25	2	10218	Micro Switch
12	1	28414 - 2	K	26	2	10302	Insulator
13	1	10769	Drive Motor	27	2	10300	Screws
14	1	28414 - 1	M				

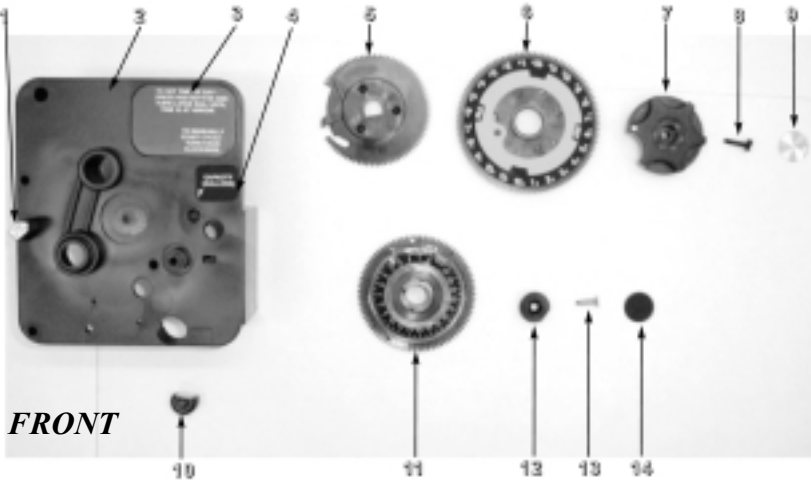
# 2510 Calendar Clock Control Valve Assembly



Item No.	Qty Req'd	Part No.	Description	Item No.	Qty Req'd	Part No.	Description
<b>1</b>	<b>1</b>	<b>13811</b>	<b>Piston Assembly</b>	1	1	040000	Hinge Pin
a	1	14452	Piston Rod	m	1	19998	Pivot Clamp
b	1	10598	End Plug Assembly	n	1	40057	Clamp Screw
c	1	14309	Piston Rod Retainer	11	1	19322	Adapter Base
d	1	15168	Piston	12	1	19936	Base Adapter Seal
2	1	11893	Flat Injector Cap	13	1	19197	Slip Ring
3	2	15137	Screws	14	1	18303	O - Ring
4	1	11475	Body Gasket	15	1	13304	O - Ring
<b>5</b>	<b>1</b>	<b>13812</b>	<b>Seal &amp; Spacer Kit</b>	16	1	13030	Dist. Tube Retainer
e	6	10545	Piston Seal	<b>17</b>	<b>1</b>	<b>13615</b>	<b>Cont. Backwash 3.5 Assy</b>
f	5	11451	Spacer		<b>1</b>	<b>9007040</b>	<b>Cont. Backwash 4.0 Assy</b>
g	1	10757	End Spacer		<b>1</b>	<b>13616A</b>	<b>Cont. Backwash 5.0 Assy</b>
6	1	19328	2510 Valve Body		<b>1</b>	<b>13617</b>	<b>Cont. Backwash 7.0 Assy</b>
<b>7</b>	<b>2</b>	<b>13248</b>	<b>Adapter Coupling Set</b>	o	1	12090	3.50 GPM Washer
h	4	13305	O - Ring		1	12091	4.00 GPM Washer
i	2	19228	Adapter Coupling		1	12092	5.00 GPM Washer
8	2	13314	Screws		1	12408	7.00 GPM Washer
9	2	13255	Mounting Clip	p	1	11183	O - Ring
<b>10</b>	<b>1</b>	<b>60503-1</b>	<b>2510 Clamp Ring Assy.</b>	q	1	11385 - 01	Housing
j	1	19900	Male Clamp	18	1	18312	Retainer Clip
k	1	19899	Female Clamp	19	1	12338	90 Degree Hose Barb

# 2510 Meter Initiated Valve - 3210 Timer Assembly

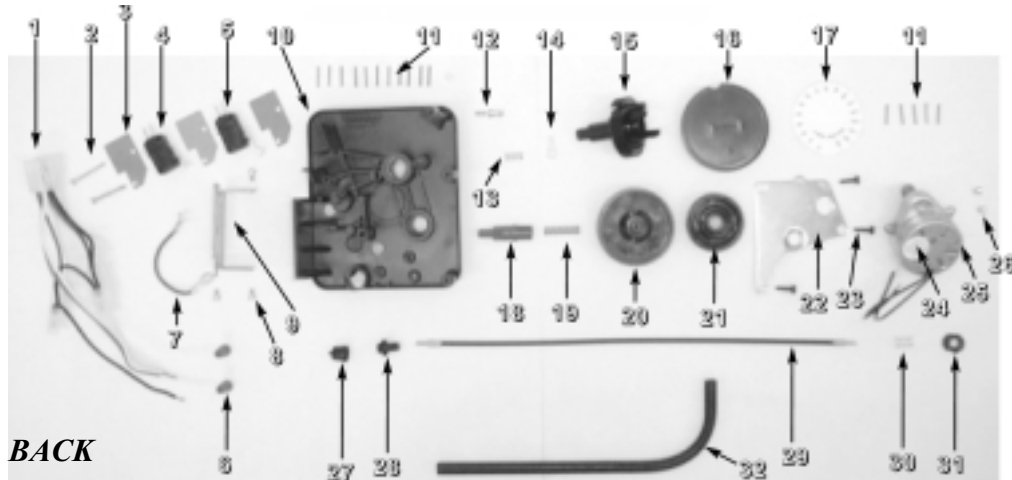
## 3210 MI Timer Assembly - FRONT



FRONT

Item No.	Qty	Part No.	Description
4	1	14198	Indicator Label
5	1	13802	Cycle Actuator Gear
6	1	<b>13973</b>	<b>24 Hour Gear Assembly</b>
	1	13009	24 Hour Gear
	1	13956	24 Hour Label
7	1	13886	Timer Knob
8	1	13296	Mounting Screw
9	1	11999	Button Timer Label
10	1	14252	Outboard Bearing Cap
11	1	<b>14039</b>	<b>Program Wheel Assembly</b>
	1	13803	Program Drive Wheel Gear
	1	13885	Program Wheel Cover
	1	15956	Program Wheel Adj Disc
	1	15967	Gallons Label
	2	13898	Screws
12	1	13806	Program Wheel Retainer
13	1	13748	Screw
14	1	13953	Program Wheel Label

Item No.	Qty	Part No.	Description
1	1	14007	Time Of Day Label
2	1	13870	Timer Housing
3	1	14045	Instruction Timer Label

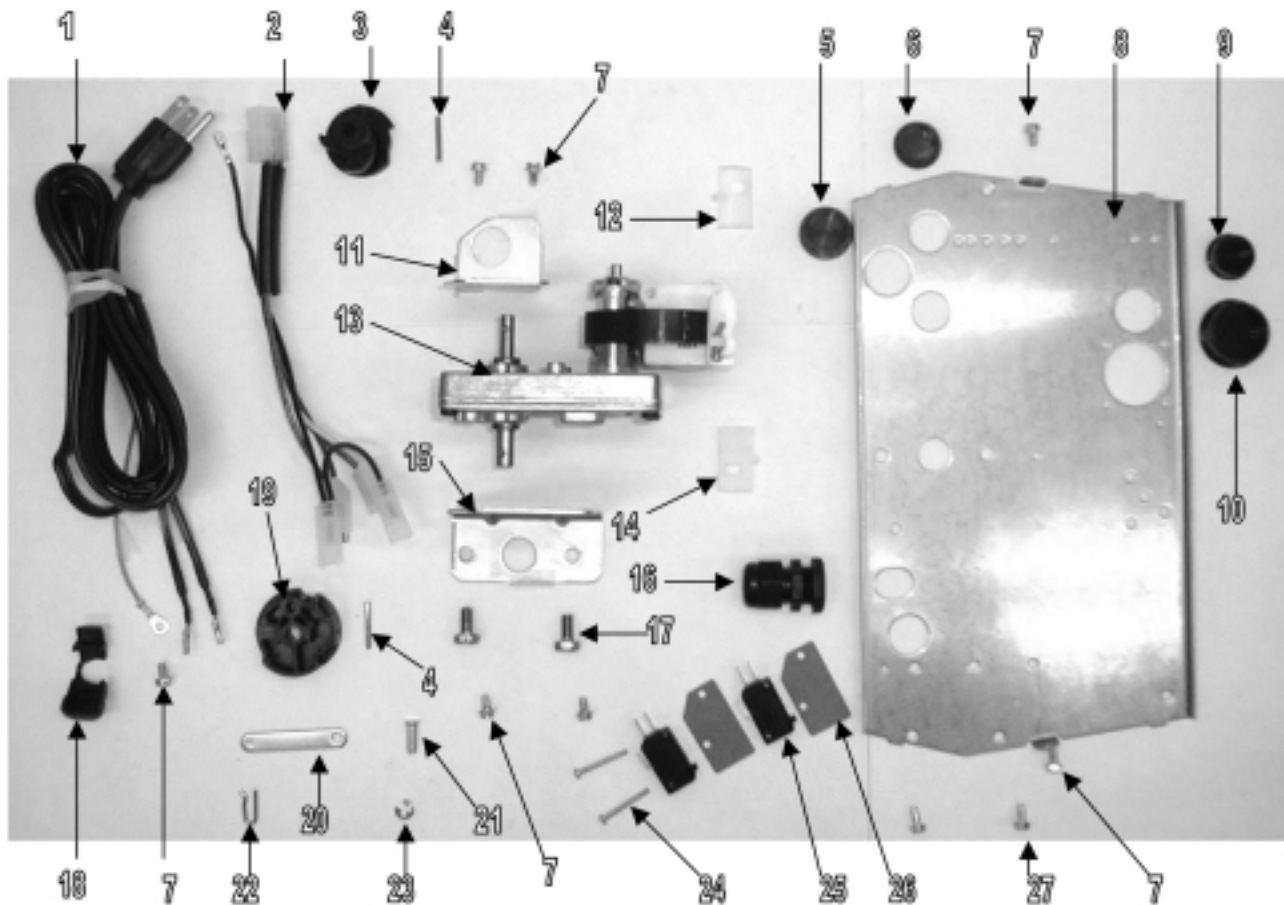


BACK

## 3210MI Timer Assembly - BACK

Item No.	Qty	Part No.	Description	Item No.	Qty	Part No.	Description
1	1	13902	Wire Harness	17	1	13901	Program Wheel Label
2	2	11413	Screw	18	1	13018	Idler Pinion
3	3	14087	Insulator	19	1	13312	Idler Shaft Spring
4	1	15320	Micro Switch (White Lever)	20	1	13017	Idler Gear
5	1	10896	Micro Switch (1/2 Moon Lever)	21	1	13164	Drive Gear
6	2	18612	Blue Wire Nut	22	1	13887	Motor Mounting Plate
7	1	15354-01	Green Ground Wire	23	3	13296	Screws
8	3	11384	Screw	24	1	18743	Drive Motor, 120 V
9	1	13881	Hinge Bracket	25	1	14102	Motor Label
10	1	13870	Timer Housing	26	2	13278	Screws
11	16	15493	Spring Pin	27	1	13830	Program Wheel Drive Pinion
12	1	14265	Spring Clip	28	1	13831	Drive Pinion Clutch
13	1	14457	Spring	29	1	14730	Meter Cable
14	1	15066	1/4" Delrin Ball	30	1	14276	Meter Clutch Spring
15	1	13911	Main Drive Gear	31	1	14253	Clutch Spring Retainer
16	1	13880	Program Wheel	32	1	15307	Meter Cable Guide

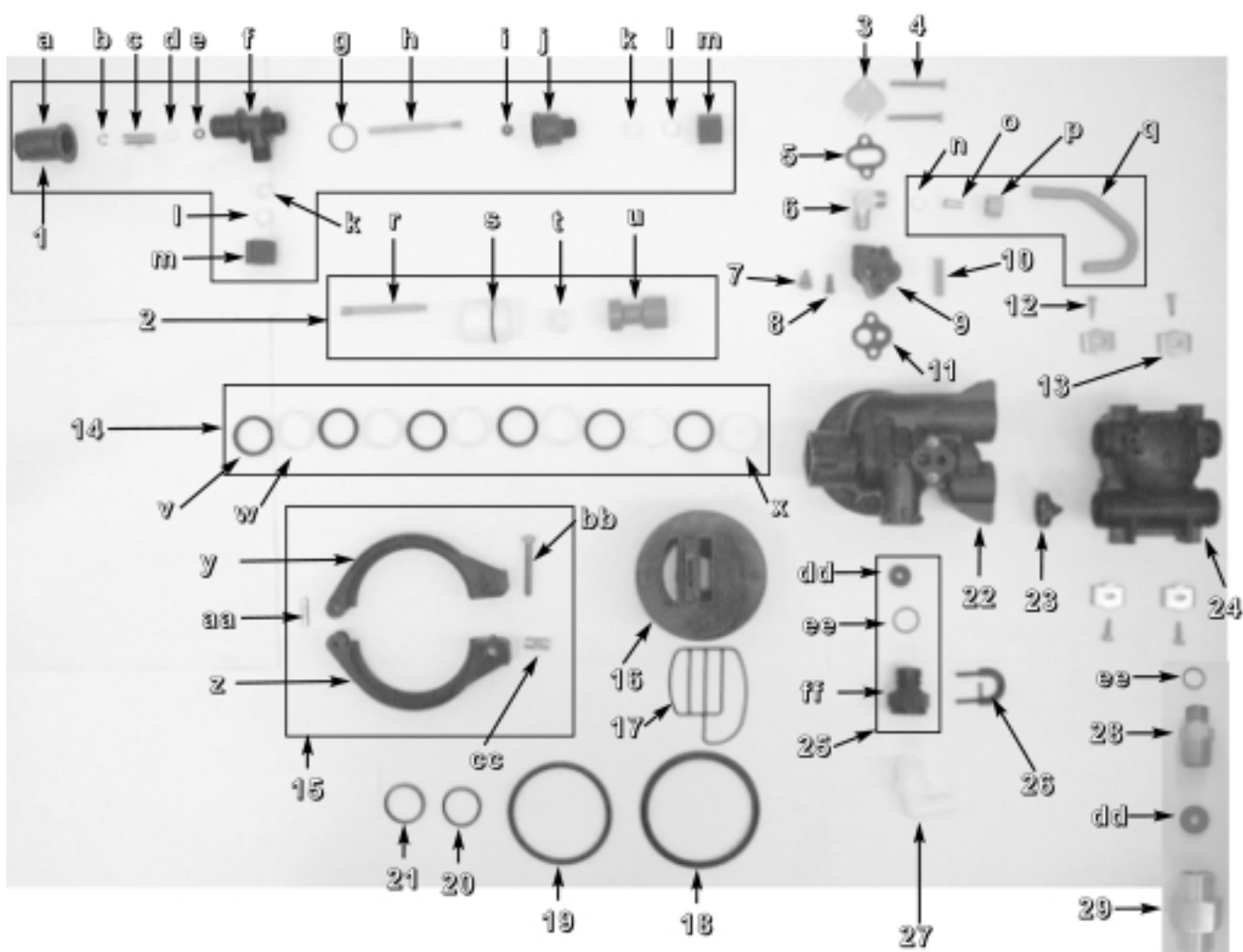
# 2510 Meter Initiated Valve - Power Head Assembly



Item #	Qty.	Part #	Description	Item #	Qty.	Part #	Description
1	1	11838	Power Cord	15	1	10774	Drive Side Bracket
2	1	11667	Wire Harness	16	2	17967	Liquid Tight Fitting
3	1	12777	Brine Valve Cam	17	1	10231	Screws
4	2	10338	Roll Pin	18	1	13547	Strain Relief
5	1	16493	Plug	19	1	12576	Drive Cam
6	2	13741	Plug	20	1	10621	Link
7	7	10872	Screws	21	1	13366	Drive Bearing
8	1	40264	Back Plate	22	1	10909	Connecting Rod Pin
9	1	15806	Plug	23	1	10250	Retaining Ring
10	1	17421	Plug	24	2	14923	Screws
11	1	11826	Motor Bracket	25	2	10218	Micro Switch (No Lever)
12	1	28414 - 2	K	26	2	10302	Insulator
13	1	10769	Drive Motor, 110 V	27	2	10300	Screws
14	1	28414 - 1	M				



# 2510 Meter Initiated Control Valve Assembly

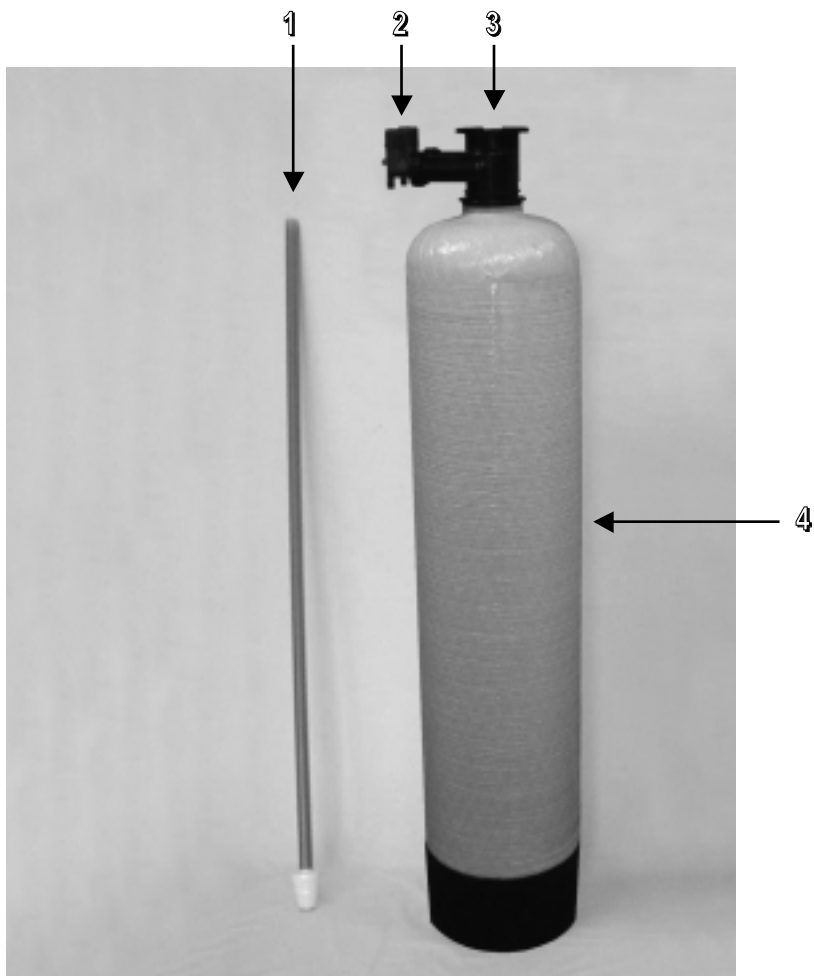


# 2510 Meter Initiated Control Valve Assembly

Item No.	Qty	Part No.	Description	Item No.	Qty	Part No.	Description
1	1	60029	Brine Valve, 1600 , Brass, No Refill	<b>15</b>	<b>1</b>	<b>60503-1</b>	<b>2510 Clamp Ring Assy</b>
		60011-50	Brine Valve, 1650, Noryl, 0.5 gpm Refill	y	1	19900	Male Clamp
		60011-00	Brine Valve, 1650 Noryl, No Refill	z	1	19899	Female Clamp
a	1	17906	Stem Guide	aa	1	040000	Hinge Pin
b	1	10250	Retaining Ring	bb	1	40057	Clamp Screw
c	1	10249	Brine Valve Spring	cc	1	19998	Clamp Pivot
d	1	17908	Stem Sleeve	16	1	19322	Adapter Base
e	1	12550	Quad Ring	17	1	19936	Base Adapter Seal
f	1	17905	Brine Valve Body	18	1	19197	Slip Ring
g	1	16924	O - Ring	19	1	18303	O - Ring
h	1	12552	Brine Valve Stem	20	1	13304	O - Ring
i	1	12626	Brine Valve Seat	21	1	13030	Dist. Tube Retainer
j	1	17907	Flow Control Fitting	22	1	19328	2510 Valve Body
k	2	19624	GFN Nut Sleeve	23	1	No Part #	Flow Straightener
l	2	19623	GFN Nut Gripper	<b>24</b>	1	60088-180	180 Degree Meter
m	2	19321	Nut	<b>25</b>	<b>1</b>	<b>13615</b>	<b>Cont. Backwash 3.5 Assy</b>
n	1	10330	3/8" Delrin Sleeve		<b>1</b>	<b>13616A</b>	<b>Cont. Backwash 5.0 Assy</b>
o	1	10332	3/8" Insert		<b>1</b>	<b>13617</b>	<b>Cont. Backwash 7.0 Assy</b>
p	1	10329	3/8" Fitting Nut		<b>1</b>	<b>60760-101</b>	<b>Control DLF 10 GPM</b>
q	1	40027	Brine Valve Tube				(Shown Separately)
<b>2</b>	<b>1</b>	<b>13811</b>	<b>Piston Assembly</b>	dd	1	12090	3.50 GPM Washer
r	1	14452	Piston Rod		1	12092	5.00 GPM Washer
s	1	10598	End Plug Assembly		1	12408	7.00 GPM Washer
t	1	14309	Piston Rod Retainer		1	16529	10.00 GPM Washer
u	1	15168	Piston	ee	1	11183	O - Ring
3	1	11893	Flat Injector Cap	ff	1	11385 - 01	Flow Control Housing
4	2	10692	Screws	26	1	18312	Retainer Clip
5	1	10229	Injector Cover Gasket	27	1	12338	90 Degree Hose Barb
6	1	10328	90 Degree Tube Fitting	28	1	11912	Drain Line Fitting
7	1	12973 - 2	PVC Nozzle	29	1	019480	Drain Line Housing
8	1	12974 - 2	PVC Throat				
9	1	17776	Injector Body				
10	1	10227	Injector Screen			60010-25	Brine Line Flow Control (B.L.F.C.) 0.25 gpm
11	1	11475	Body Gasket			60010-50	Brine Line Flow Control (B.L.F.C.) 0.50 gpm
12	4	13314	Screws			60010-100	Brine Line Flow Control (B.L.F.C.) 1.0 gpm
13	4	13255	Mounting Clip			60011-00	Brine Valve (less B.L.F.C.)
14	1	13812	Seal & Spacer Kit				
v	6	10545	Piston Seal				
w	5	11451	Spacers				
x	1	10757	End Spacer				

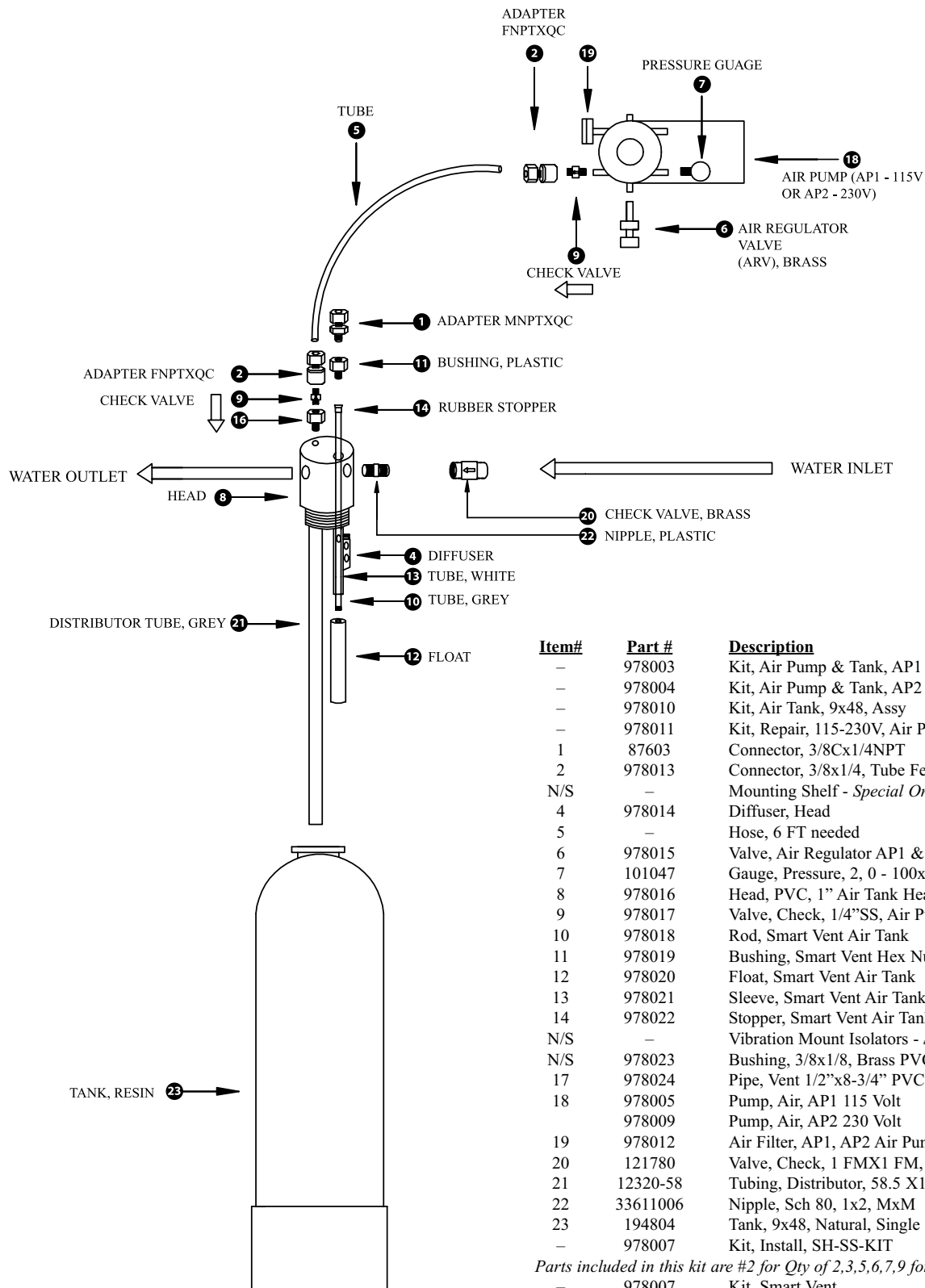
# Econoflo Upflow Neutralizer

---



<u>Part No.</u>	<u>Model Description</u>	<u>Distributor (1)</u>	<u>Fitting (2)</u>	<u>Head (3)</u>	<u>Tank (4)</u>	<u>Media</u>
9063	UNF10	19478	Call	33068	110474	Call
9064	UNF20	19477	Call	33068	112524	Call

# Air Pump & Retention Tank Assembly



Item#	Part #	Description
-	978003	Kit, Air Pump & Tank, AP1 Assy, 115V
-	978004	Kit, Air Pump & Tank, AP2 Assy, 230V
-	978010	Kit, Air Tank, 9x48, Assy
-	978011	Kit, Repair, 115-230V, Air Pump
1	87603	Connector, 3/8Cx1/4NPT
2	978013	Connector, 3/8x1/4, Tube Female, Plastic
N/S	-	Mounting Shelf - <i>Special Order</i>
4	978014	Diffuser, Head
5	-	Hose, 6 FT needed
6	978015	Valve, Air Regulator AP1 & AP2 Air Pump
7	101047	Gauge, Pressure, 2, 0 - 100x1/4 PT
8	978016	Head, PVC, 1" Air Tank Head
9	978017	Valve, Check, 1/4"SS, Air Pump/Tank
10	978018	Rod, Smart Vent Air Tank
11	978019	Bushing, Smart Vent Hex Nut PVC Head, Air Tank
12	978020	Float, Smart Vent Air Tank
13	978021	Sleeve, Smart Vent Air Tank
14	978022	Stopper, Smart Vent Air Tank
N/S	-	Vibration Mount Isolators - <i>Special Order</i>
N/S	978023	Bushing, 3/8x1/8, Brass PVC Head, Air Tank
17	978024	Pipe, Vent 1/2"x8-3/4" PVC Head, 4 Hole, Short
18	978005	Pump, Air, AP1 115 Volt
	978009	Pump, Air, AP2 230 Volt
19	978012	Air Filter, AP1, AP2 Air Pump
20	121780	Valve, Check, 1 FMX1 FM, Brass
21	12320-58	Tubing, Distributor, 58.5 X1
22	33611006	Nipple, Sch 80, 1x2, MxM
23	194804	Tank, 9x48, Natural, Single
-	978007	Kit, Install, SH-SS-KIT

Parts included in this kit are #2 for Qty of 2, 3, 5, 6, 7, 9 for Qty of 2.

- 978007 Kit, Smart Vent

Parts included in this kit are #2 for Qty of 2, 4, 10, 11, 12, 13, 14.

- 978008 Kit, Vent Head Diffuser

Parts included in this kit are #4, 8, 16, 8, Pipe 18" Long

Note: N/S - Not Shown

# Bypasses

## Plastic Bypass



Item No.	Qty Req'd	Part No.	Description
1	2	13314	Screw
2	2	13255	Mounting Clip
3	1	18706-02	3/4" Plastic Yoke
	1	18706	1" Plastic Yoke (optional)

### Complete Bypass Numbers

60049 - Bypass, plastic, c/w 3/4" plastic yoke  
 60049-1 - Bypass, plastic, c/w 1" plastic yoke

## Stainless Steel Bypass



### Complete Bypass Numbers

Item #	Item #	Description
60040	60040SS	Bypass, 3/4" stainless steel
60041-1	60041SS	Bypass, 1" stainless steel